

# NEWPORT BRASS

## SECANT

### SINGLE HOLE LAVATORY FAUCET

# 2043-1

#### Features

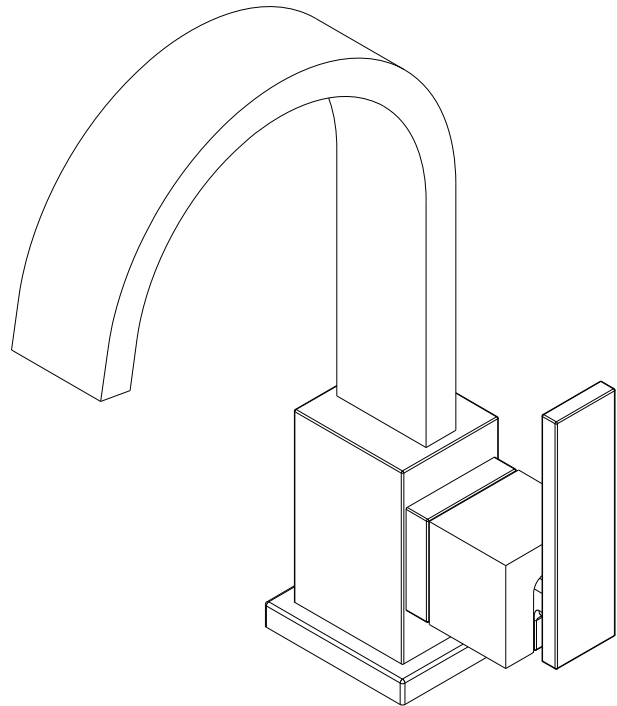
- Solid brass construction
- Brass body with side-mounted handle
- Euro-motion ceramic disc 25 mm valve cartridge
- Spout assembly with integral supply hoses
- Push pop-up drain with tailpiece
- 6.51" (16.54 cm) spout height at outlet
- 5.47" (13.91 cm) spout reach (c-c)
- ADA Compliant
- 1.2 GPM (4.5 LPM) Max



#### Codes / Standards Compliance

Meets or exceeds the following at date of manufacture:

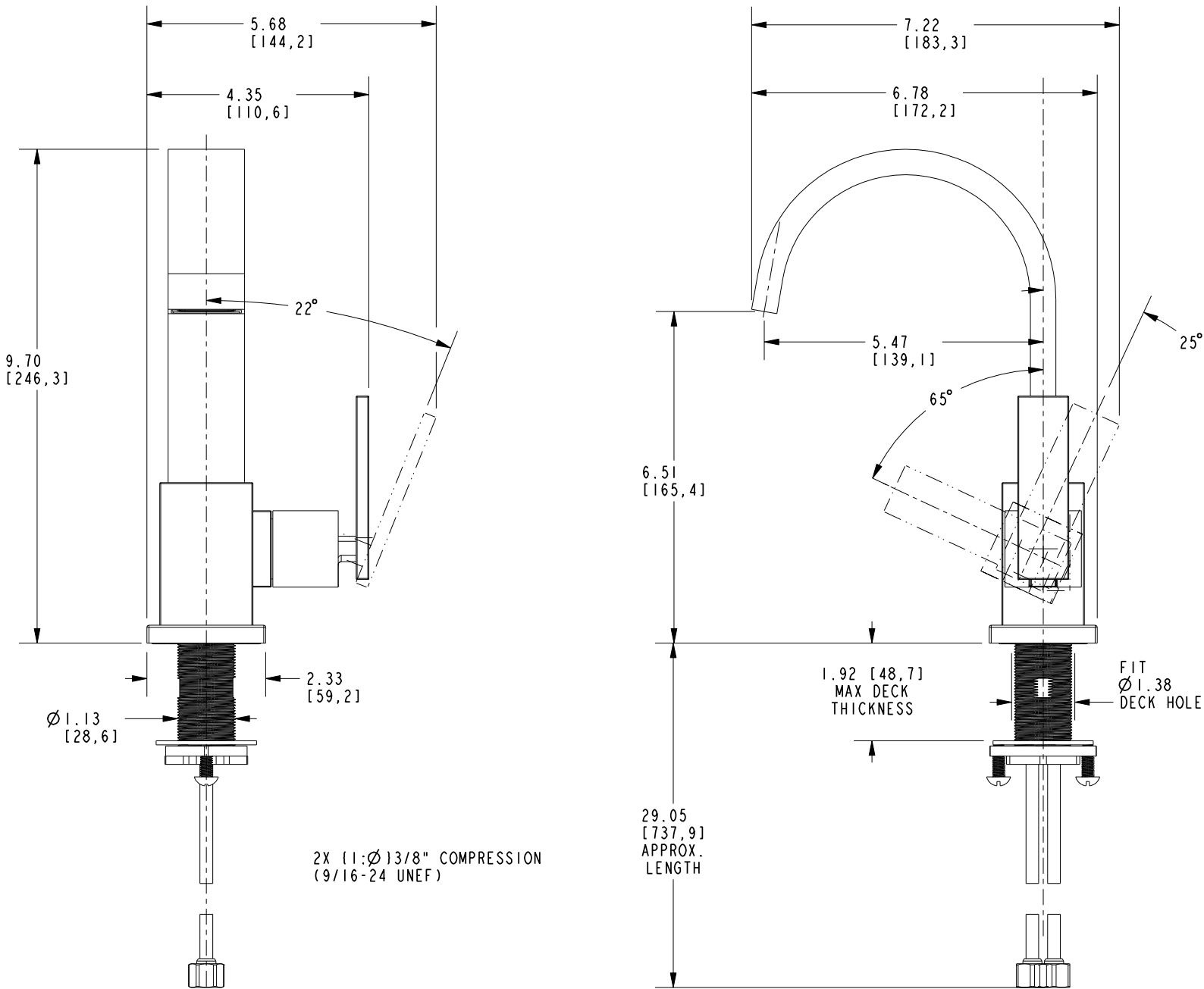
- ASME A112.18.1/CSA B125.1
- IAPMO/cUPC
- NSF/ANSI/CAN 61, SECTION 9
- NSF/ANSI 372
- IPC
- ADA & ICC/ANSI A117.1
- Energy Policy Act of 1992
- EPA WaterSense
- California Energy Commission
- All applicable US Federal and State material regulations



# NEWPORT BRASS

## PRODUCT DIMENSIONS *(Units are in inches)*

Product Dimensions are provided for reference only. For specific product installation guidelines, please reference the Installation Instructions of the product being installed.



**SINGLE HOLE LAVATORY FAUCET**

**2043-1**