

AYLESBURY

TANK LEVER

2-645

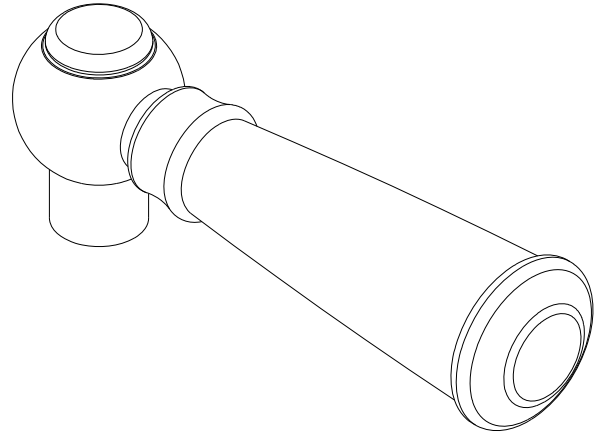
Features

Solid brass construction
Traditional styling
Lever handle design
Front or side mount installation
Requires a 5/8" x 5/8" (1.58 cm) square hole for installation (standard toilet tank hole size)
Intended for use with 6-505 Tank Lever Mechanism (Required Accessory)
Complements Aylesbury product series

Codes / Standards Compliance

Meets or exceeds the following at date of manufacture:

All applicable US Federal and State material regulations



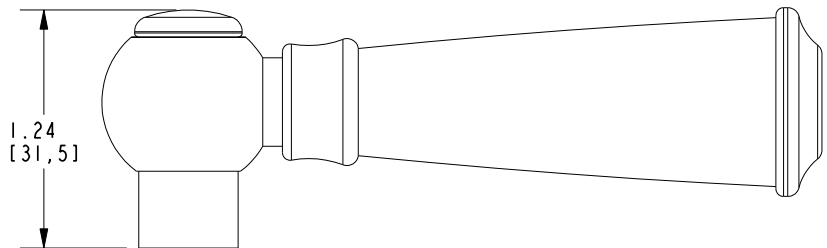
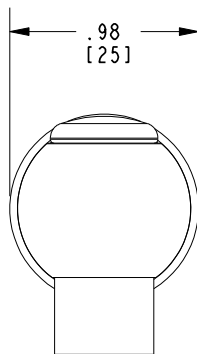
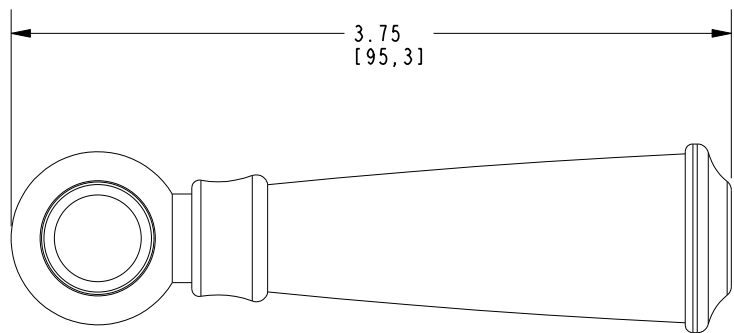
Required Accessory:

Description	Tank Lever Mechanism
Part Number	6-505
Image	

2-645

PRODUCT DIMENSIONS *(Units are in inches)*

Product Dimensions are provided for reference only. For specific product installation guidelines, please reference the Installation Instructions of the product being installed.



TANK LEVER

2-645

Page 2 of 2
EN- 5035
REV C

NEWPORT BRASS
Flawless Beauty. From Faucet to Finish.

t: 949.417.5207 | www.newportbrass.com
©2025 NewportBrass