

## SEAPORT

### TANK LEVER

# 2-116

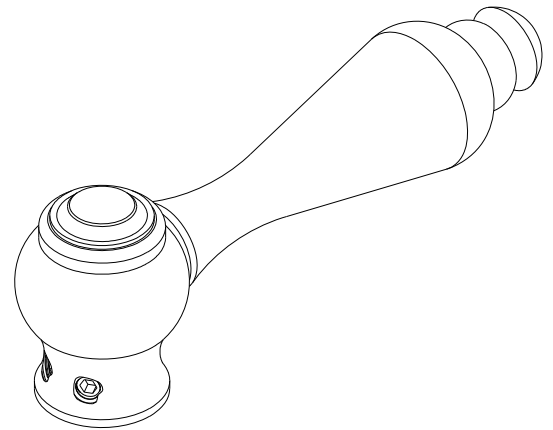
### Features

Solid brass construction  
Traditional styling  
Left handle design  
Front or side mount installation  
Requires a 5/8" x 5/8" (1.58 cm) square hole for installation (standard toilet tank hole size)  
Intended for use with 6-505 Tank Lever Mechanism (Required Accessory)  
Complements Annabella product series

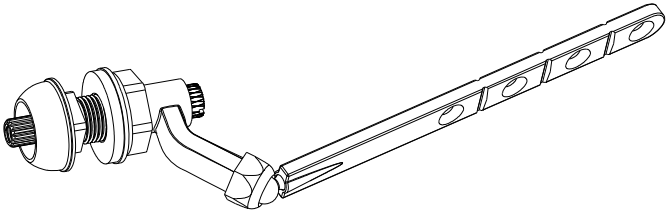
### Codes / Standards Compliance

Meets or exceeds the following at date of manufacture:

All applicable US Federal and State material regulations



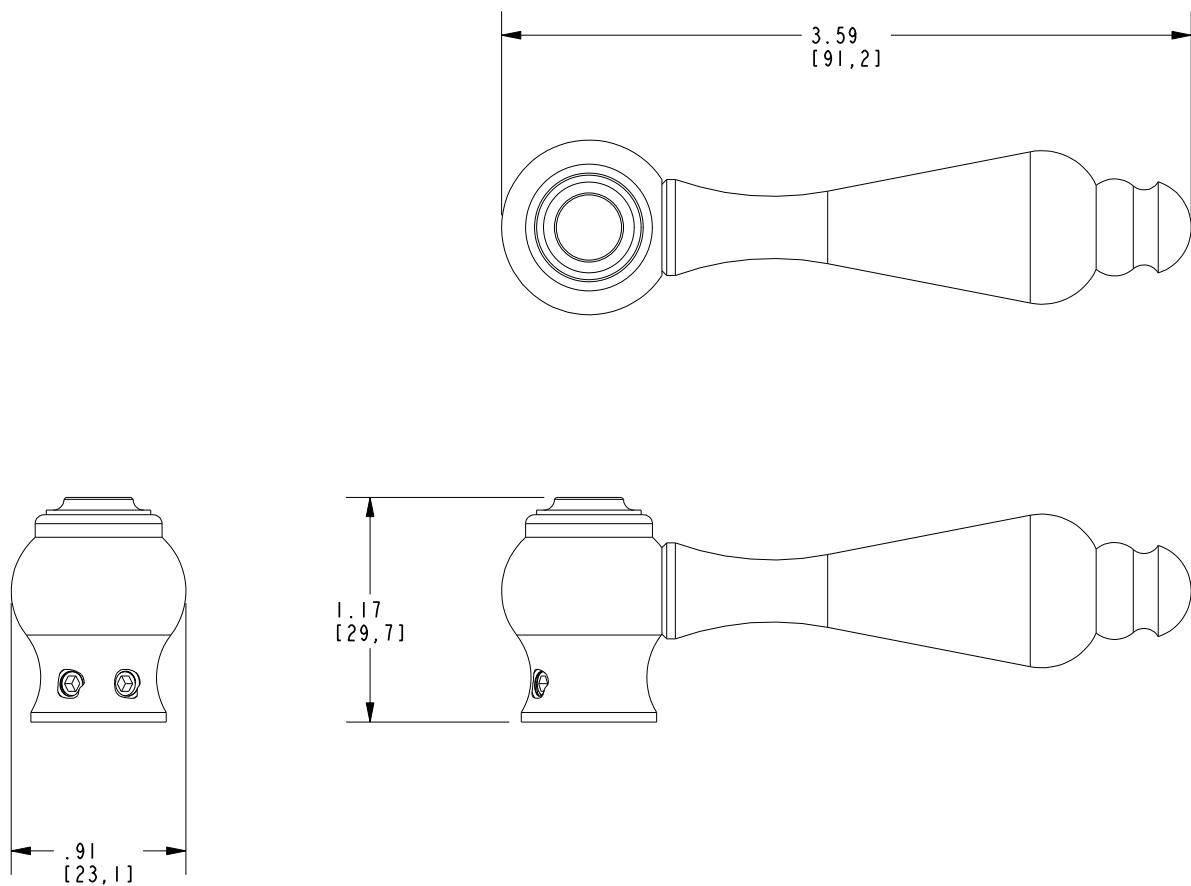
### Required Accessory:

<b>Description</b>	Tank Lever Mechanism
<b>Part Number</b>	6-505
<b>Image</b>	

# 2-116

## PRODUCT DIMENSIONS *(Units are in inches)*

Product Dimensions are provided for reference only. For specific product installation guidelines, please reference the Installation Instructions of the product being installed.



TANK LEVER

2-116

Page 2 of 2  
EN- 5035  
REVC

**NEWPORT BRASS**  
Flawless Beauty. From Faucet to Finish.

t: 949.417.5207 | [www.newportbrass.com](http://www.newportbrass.com)  
©2025 NewportBrass