

VICTORIA

TUB AND HANDSHOWER SET

1770-4283



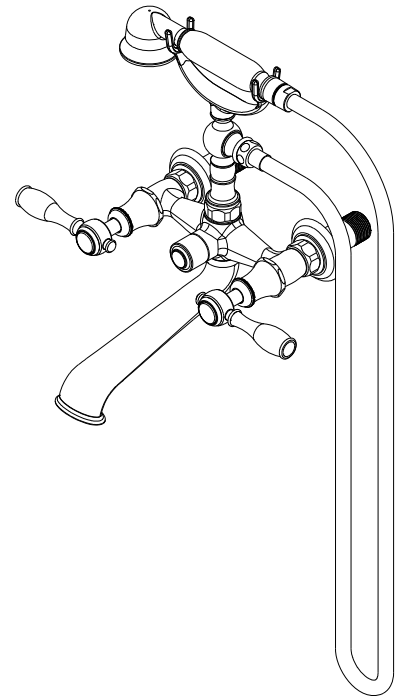
Features

- Solid brass construction
- Quarter-turn washerless ceramic disc valve cartridges
- 3/4" NPT hot and cold inlet fittings
- 8.65" (22.0 cm) to 10.12" (25.7 cm) tub spout reach (wall-center)
- 2.08" (5.3 cm) handshower diameter
- For wall mounted configurations, all is included
- "For floor mounted configurations, select optional accessories, below"
- ADA Complaint (Handles Only)
- 1.8 GPM (6.8 LPM) Max, Handshower Only

Codes / Standards Compliance

Meets or exceeds the following at date of manufacture:

- ASME A112.18.1/CSA B125.1
- IAPMO/cUPC
- IPC
- ADA & ICC/ANSI A117.1 (Handle Only)
- Energy Policy Act of 1992
- EPA WaterSense
- California Energy Commission
- ASME A112.18.3 (Back Flow)
- All applicable US Federal and State material regulations



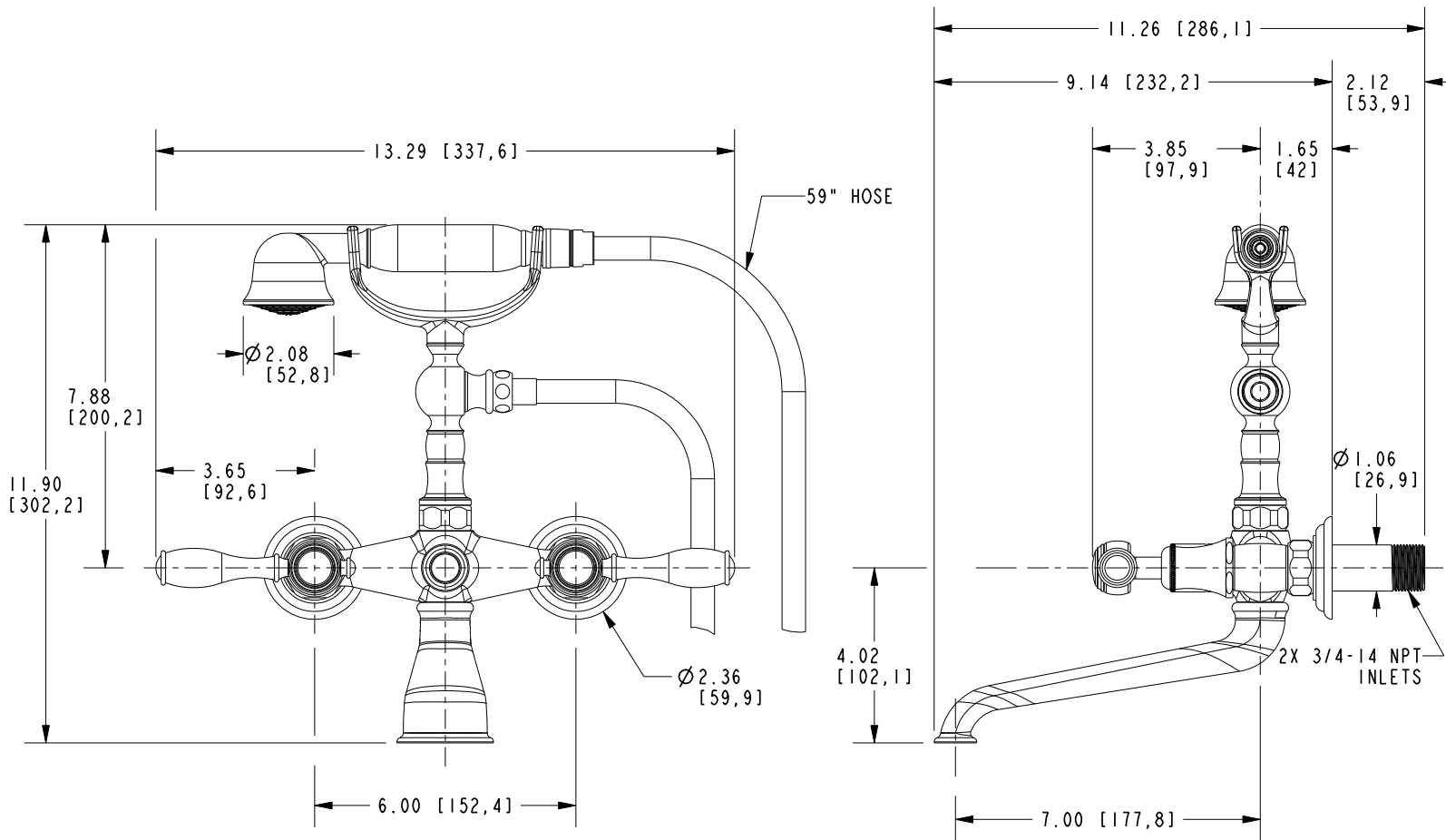
Optional Accessory:

System Element	31" Risers	24" Risers	Pair, Hot & Cold	Stabilizer
Description	Floor Mounting Kit	Floor Mounting Kit	Shut-off Valve Set	Tub Stabilizer Kit
Inlet/Outlet Size	3/4" / 3/4" NPT	3/4" / 3/4" NPT	3/4" / 3/4" NPT	-
Part Number	3-196	3-226	3-192	2-734
Image				

1770-4283

PRODUCT DIMENSIONS (Units are in inches)

Product Dimensions are provided for reference only. For specific product installation guidelines, please reference the Installation Instructions of the product being installed.



TUB AND HANDSHOWER SET

1770-4283

Page 2 of 2
EN- 5011
REV E

NEWPORT BRASS
Flawless Beauty. From Faucet to Finish.

t: 949.417.5207 | www.newportbrass.com
©2025 NewportBrass