

Features

Solid brass construction
Quarter-turn washerless ceramic disc valve cartridges
3/4" NPT hot and cold inlet fittings
9.11" (23.1 cm) tub spout reach from inlet fittings (c-c)
2.08" (5.3 cm) handshower diameter
For deck-mounted configurations
ADA Compliant (Handles Only)
1.8 GPM (6.8 LPM) Max, Handshower Only

TUB AND HANDSHOWER SET

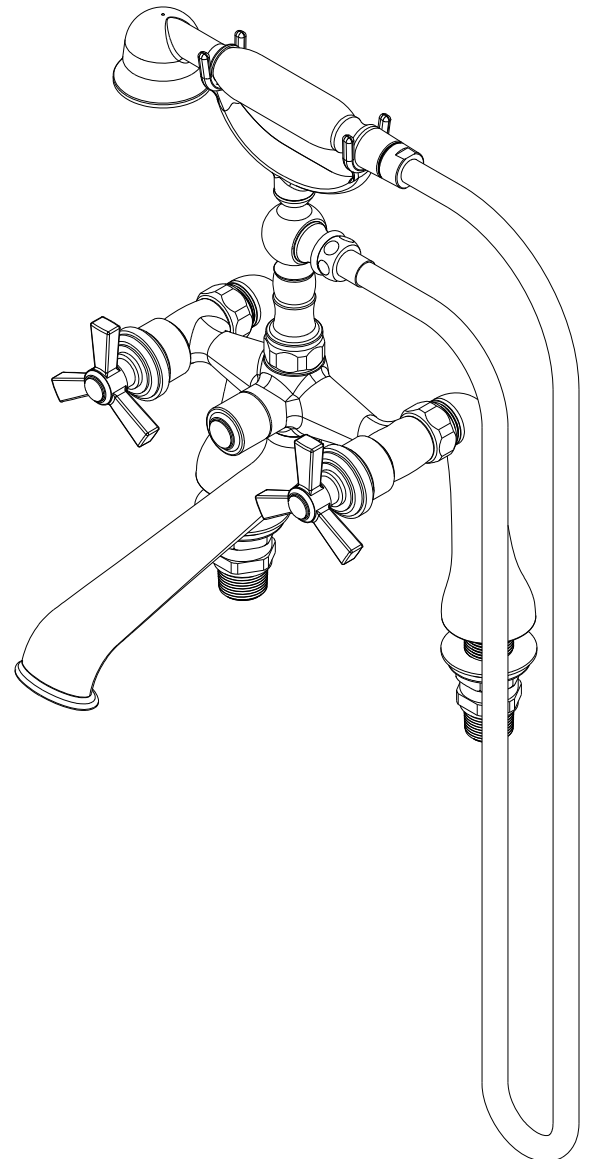
1600-4272



Codes / Standards Compliance

Meets or exceeds the following at date of manufacture:

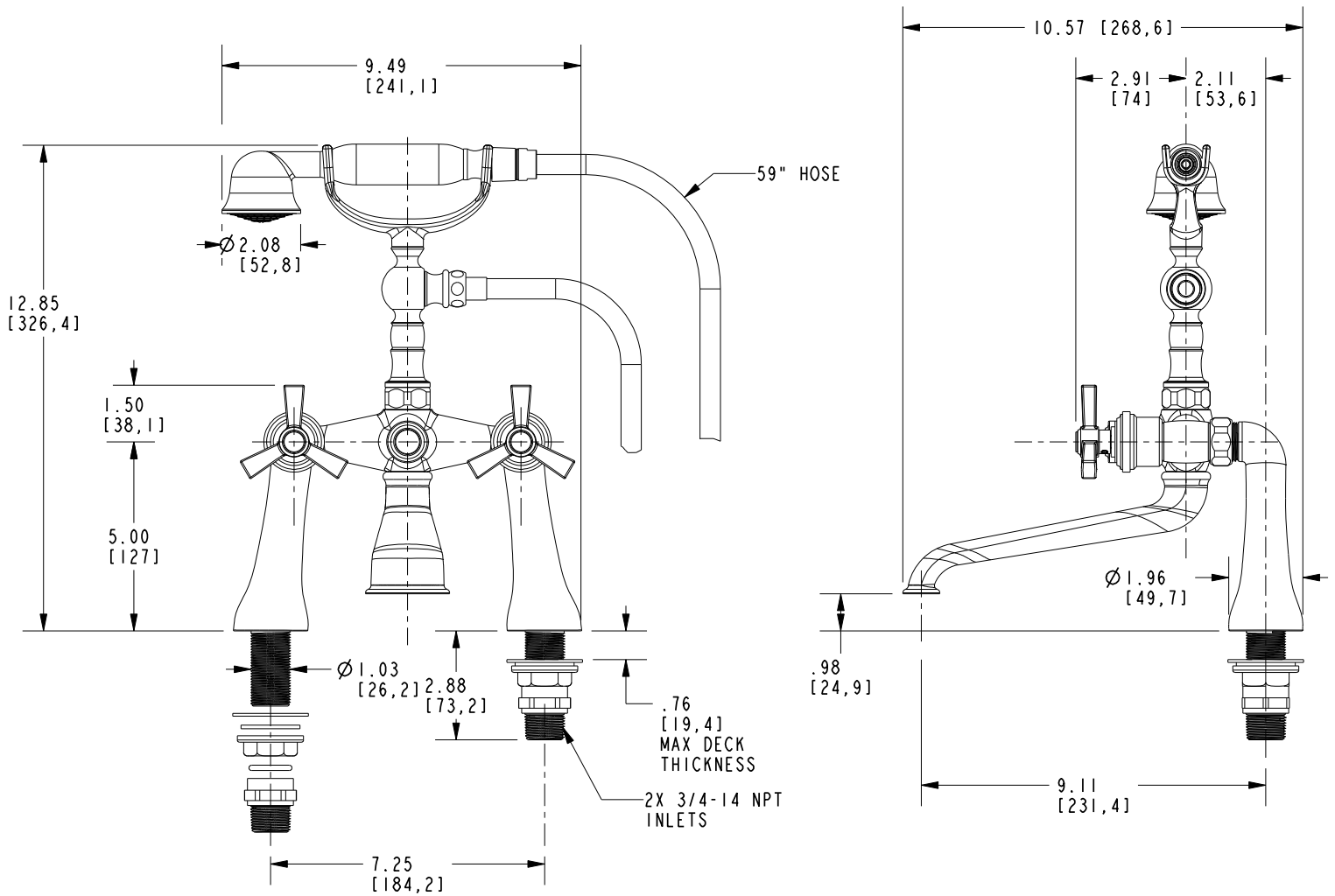
ASME A112.18.1/CSA B125.1
IAPMO/cUPC
IPC
ADA & ICC/ANSI A117.1 (Handle Only)
Energy Policy Act of 1992
EPA WaterSense
California Energy Commission
ASME A112.18.3 (Back Flow)
All applicable US Federal and State material regulations



1600-4272

PRODUCT DIMENSIONS (Units are in inches)

Product Dimensions are provided for reference only. For specific product installation guidelines, please reference the Installation Instructions of the product being installed.



TUB AND HANDSHOWER SET

1600-4272

Page 2 of 2
EN- 5011
REV F

NEWPORT BRASS
Flawless Beauty. From Faucet to Finish.

t: 949.417.5207 | www.newportbrass.com
©2025 NewportBrass