

EAST LINEAR

TUB AND HANDSHOWER SET

1500-4283



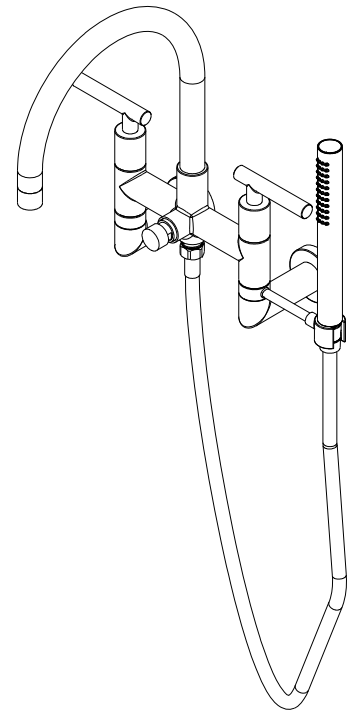
Features

- Solid brass construction
- Quarter-turn washerless ceramic disc valve cartridges
- 12.60" (32.0 cm) tub spout reach (wall-center)
- 3" x 3/4" (7,6 cm x 1,9 cm) handshower spray area
- For wall mounted configurations
- ADA Compliant (Handles Only)
- 1.8 GPM (6.8 LPM) Max, Handshower Only

Codes / Standards Compliance

Meets or exceeds the following at date of manufacture:

- ASME A112.18.1/CSA B125.1
- IAPMO/cUPC
- IPC
- ADA & ICC/ANSI A117.1 (Handle Only)
- Energy Policy Act of 1992
- EPA WaterSense
- California Energy Commission
- ASME A112.18.3 (Back Flow)
- All applicable US Federal and State material regulations



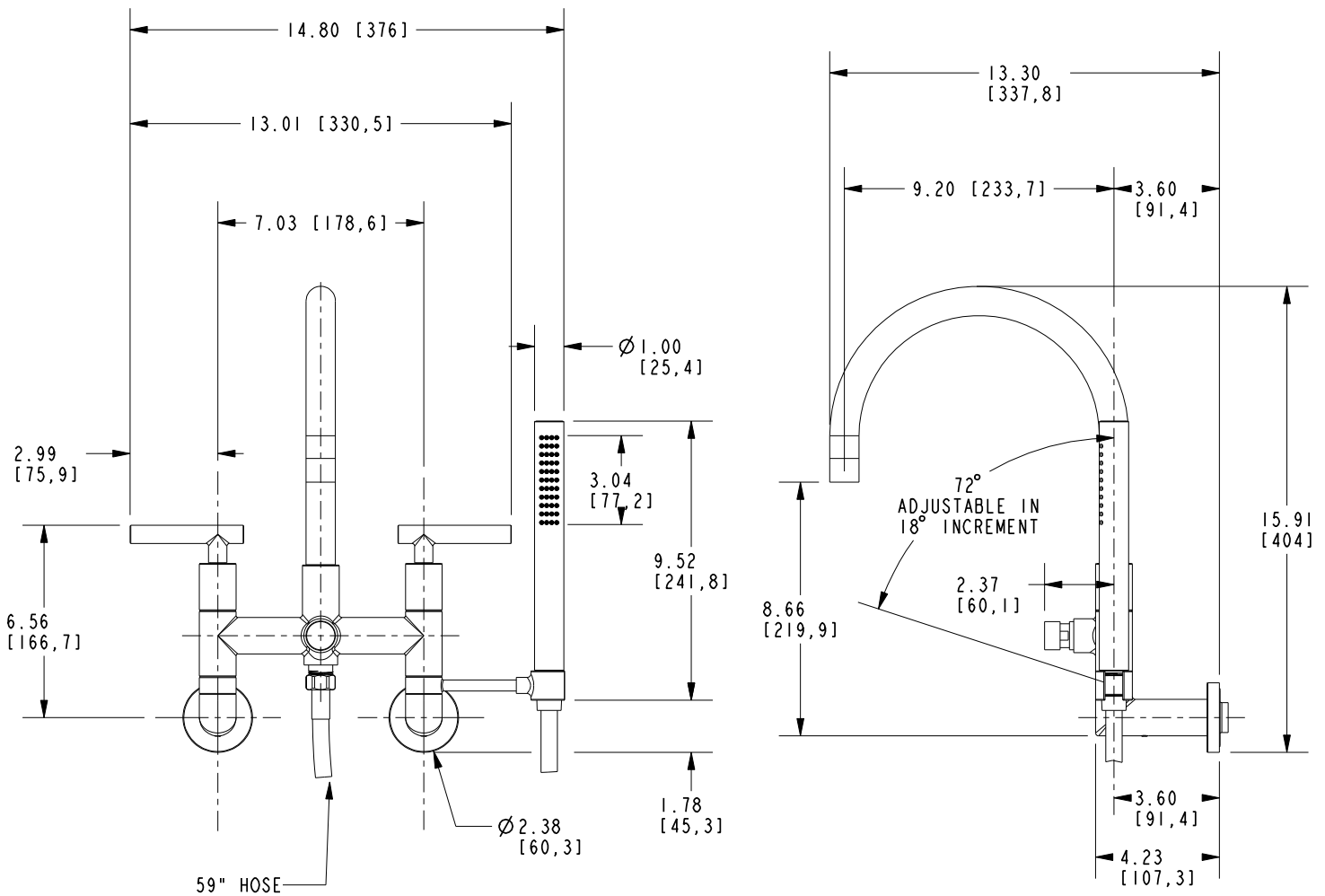
ACCESSORY REQUIRED

Model	1-483
Description	Wall Mount Nipple Kit
Image	

1500-4283

PRODUCT DIMENSIONS (Units are in inches)

Product Dimensions are provided for reference only. For specific product installation guidelines, please reference the Installation Instructions of the product being installed.



TUB AND HANDSHOWER SET

1500-4283

Page 2 of 2
EN- 5044
REV C

NEWPORT BRASS
Flawless Beauty. From Faucet to Finish.

t: 949.417.5207 | www.newportbrass.com
©2025 NewportBrass