

EAST LINEAR

TUB AND HANDSHOWER SET

1500-4282



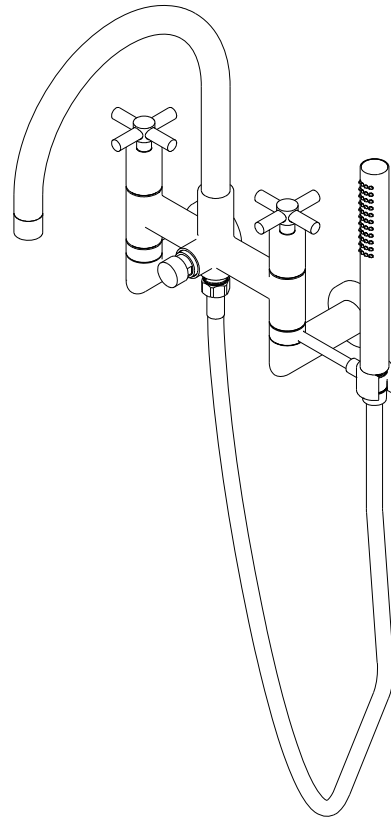
Features

- Solid brass construction
- Quarter-turn washerless ceramic disc valve cartridges
- 12.60" (32.0 cm) tub spout reach (wall-center)
- 3" x 3/4" (7,6 cm x 1,9 cm) handshower spray area
- For wall mounted configurations
- ADA Compliant (Handles Only)
- 1.8 GPM (6.8 LPM) Max, Handshower Only

Codes / Standards Compliance

Meets or exceeds the following at date of manufacture:

- ASME A112.18.1/CSA B125.1
- IAPMO/cUPC
- IPC
- ADA & ICC/ANSI A117.1 (Handle Only)
- Energy Policy Act of 1992
- EPA WaterSense
- California Energy Commission
- ASME A112.18.3 (Back Flow)
- All applicable US Federal and State material regulations



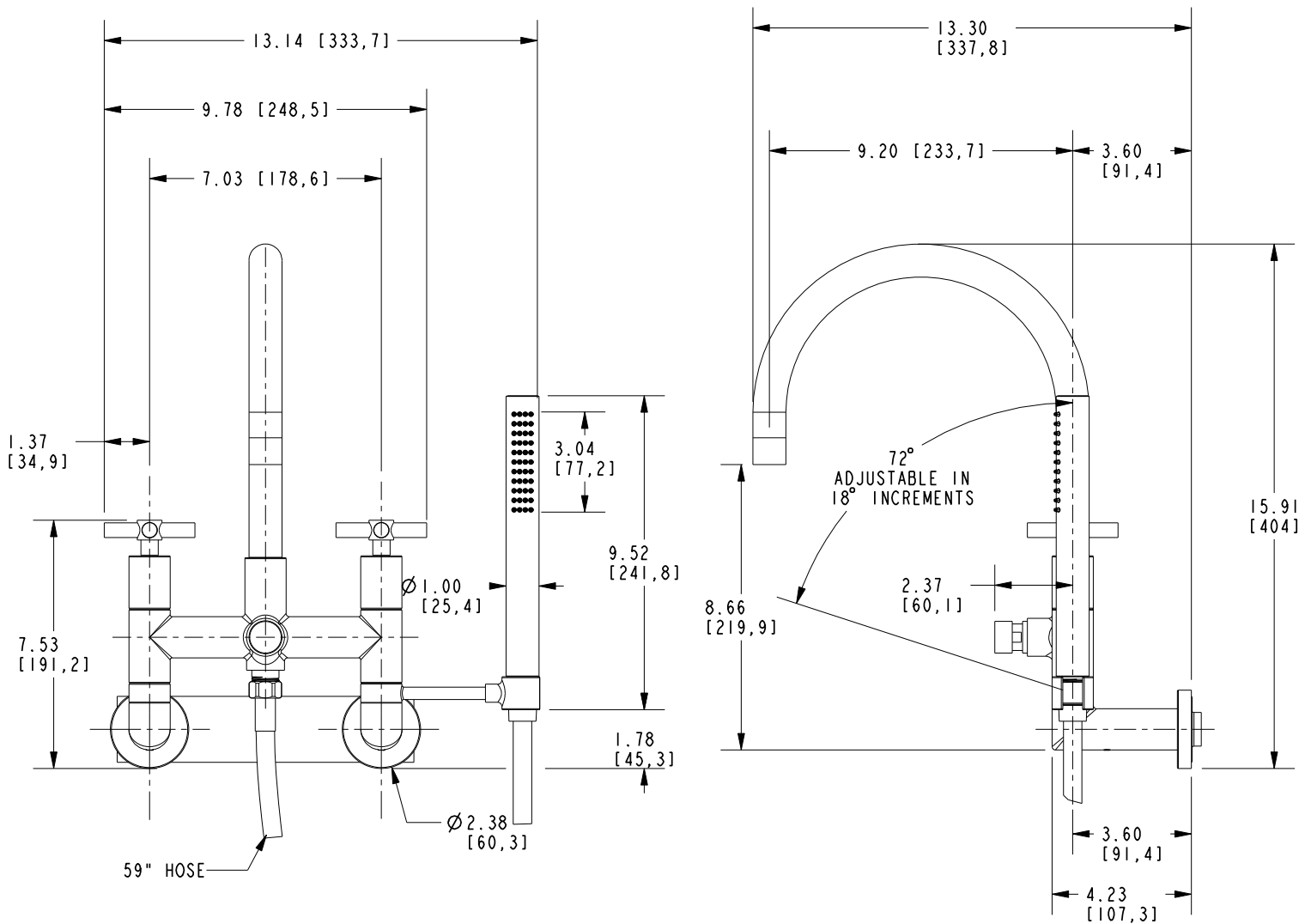
ACCESSORY REQUIRED

System Element	1-483
Description	Wall Mount Nipple Kit
Image	

1500-4282

PRODUCT DIMENSIONS *(Units are in inches)*

Product Dimensions are provided for reference only. For specific product installation guidelines, please reference the Installation Instructions of the product being installed.



TUB AND HANDSHOWER SET

1500-4282

Page 2 of 2
EN- 5044
REV C

NEWPORT BRASS
Flawless Beauty. From Faucet to Finish.

t: 949.417.5207 | www.newportbrass.com
©2025 NewportBrass