

## EAST LINEAR

### Features

- Solid brass construction
- Quarter-turn washerless ceramic disc valve cartridges
- 9.25 gallons (35 liters) per minute spout maximum flow rate
- 3/4" NPT hot and cold inlet fittings
- 9.20" (23.4 cm) tub spout reach from inlet fittings (c-c)
- 35.19" (89.4 cm) tub spout height at outlet
- Contemporary handshower design of brass construction
- ADA Compliant (Handles Only)
- 1.8 GPM (6.8 LPM) Max, Handshower Only

### BRIDGE TUB AND HANDSHOWER KIT

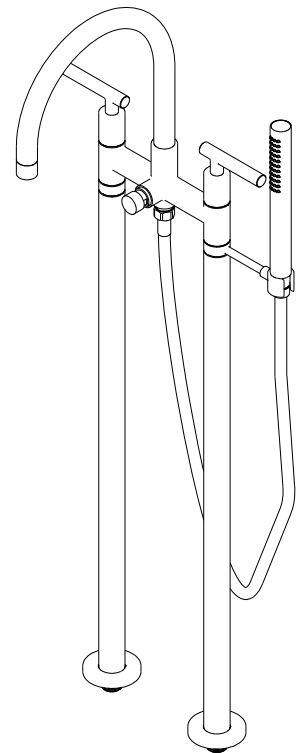
# 1500-4263



### Codes / Standards Compliance

Meets or exceeds the following at date of manufacture:

- ASME A112.18.1/CSA B125.1
- IAPMO/cUPC
- IPC
- ADA & ICC/ANSI A117.1 (Handle Only)
- Energy Policy Act of 1992
- EPA WaterSense
- California Energy Commission
- ASME A112.18.3 (Back Flow)
- All applicable US Federal and State material regulations



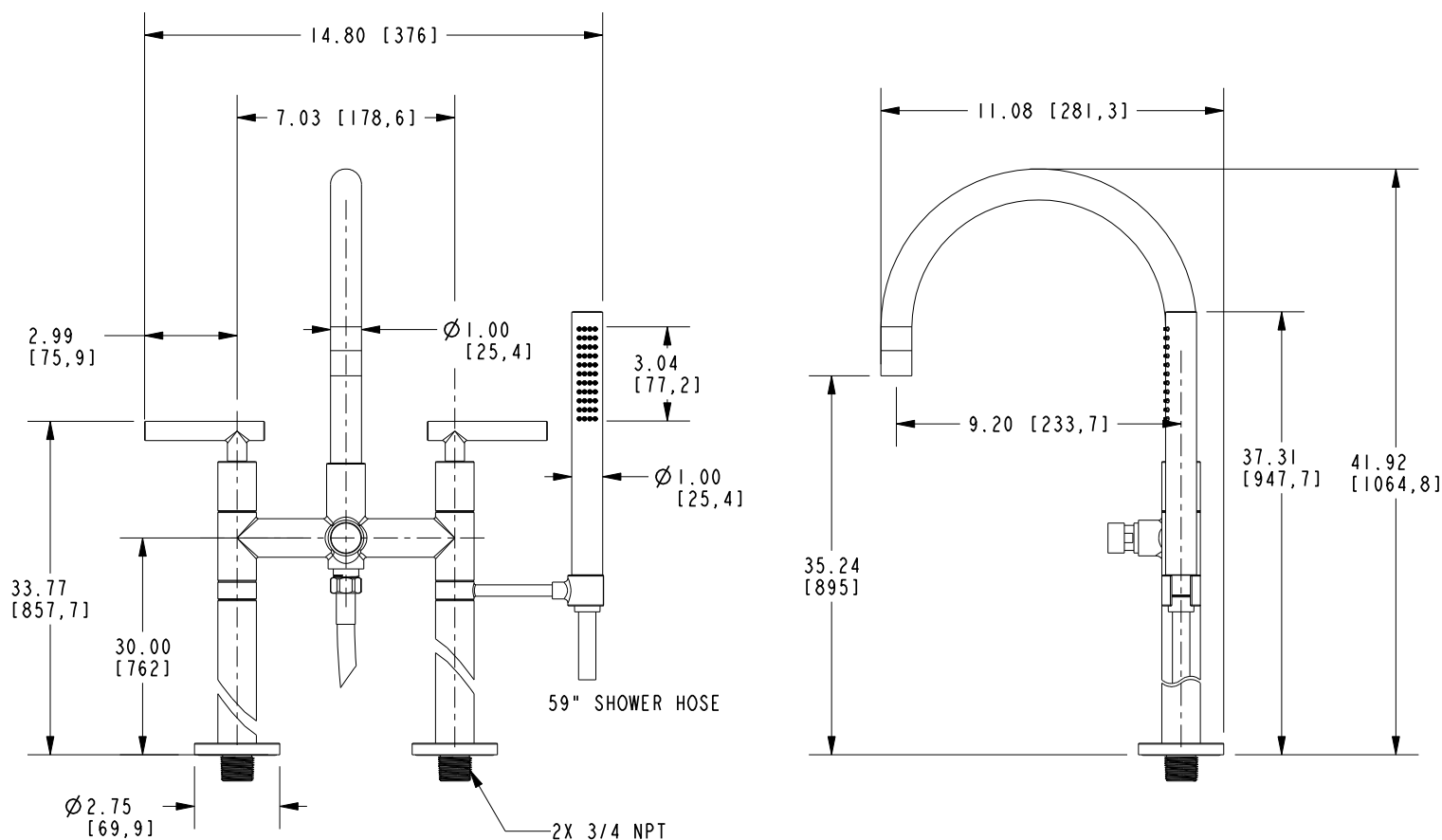
### ACCESSORY OPTIONAL

<b>System Element</b>	1-469
<b>Description</b>	Freestanding Tub Fill Rough Kit (Floor Mount)
<b>Image</b>	

# 1500-4263

## PRODUCT DIMENSIONS *(Units are in inches)*

Product Dimensions are provided for reference only. For specific product installation guidelines, please reference the Installation Instructions of the product being installed.



BRIDGE TUB AND HANDSHOWER KIT

1500-4263

Page 2 of 2  
EN- 5044  
REV C

**NEWPORT BRASS**  
Flawless Beauty. From Faucet to Finish.

t: 949.417.5207 | [www.newportbrass.com](http://www.newportbrass.com)  
©2025 NewportBrass