

## Features

---

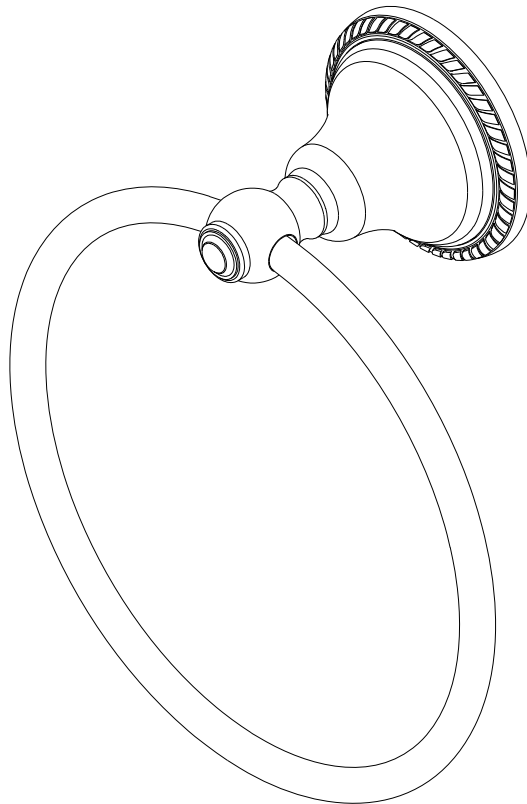
Solid brass construction  
Single-post, horizontal pivot design with hanging, closed ring  
Complements Amisa product series

## Codes / Standards Compliance

Meets or exceeds the following at date of manufacture:

---

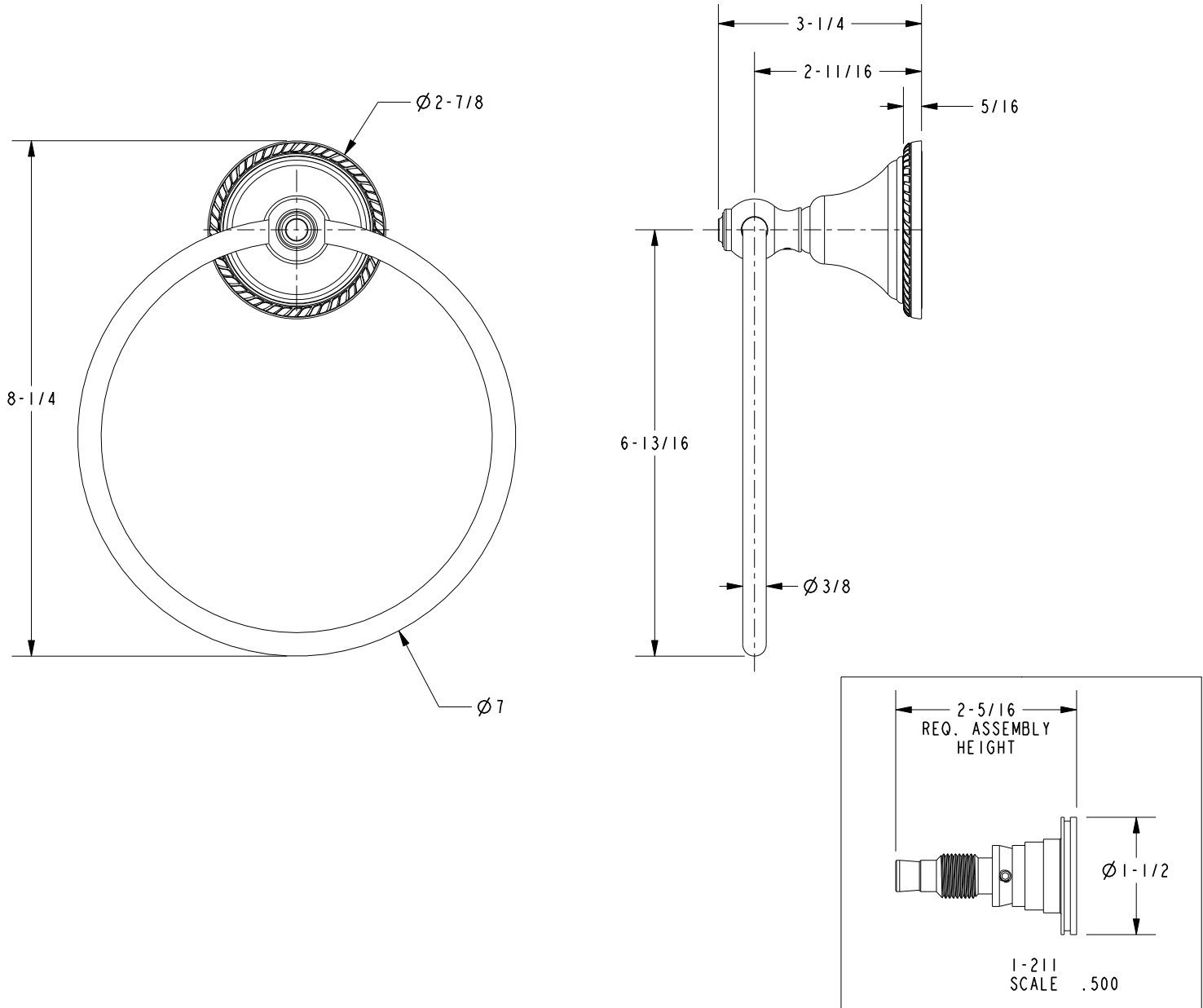
All applicable US Federal and State material regulations



# 15-09

## PRODUCT DIMENSIONS *(Units are in inches)*

Product Dimensions are provided for reference only. For specific product installation guidelines, please reference the Installation Instructions of the product being installed.



TOWEL RING

15-09

Page 2 of 2  
EN- 5016  
REVC

**NEWPORT BRASS**  
Flawless Beauty. From Faucet to Finish.

t: 949.417.5207 | [www.newportbrass.com](http://www.newportbrass.com)  
©2025 NewportBrass