

## EAST LINEAR

### Features

Solid brass construction  
Bridge-style brass valve bodies  
Quarter-turn washerless ceramic disc valve cartridges  
Two-function, push-button control spray engine with solid brass housing  
Magnetic docking system secures spray engine to spout  
8.63" (22.0 cm) spout height at outlet  
8.30" (21.1 cm) spout reach (c-c)  
For 8" (20.3 cm) centers  
ADA Compliant (Handles Only)  
1.8 GPM (6.8 LPM) Max

### PULL-DOWN BRIDGE STYLE FAUCET

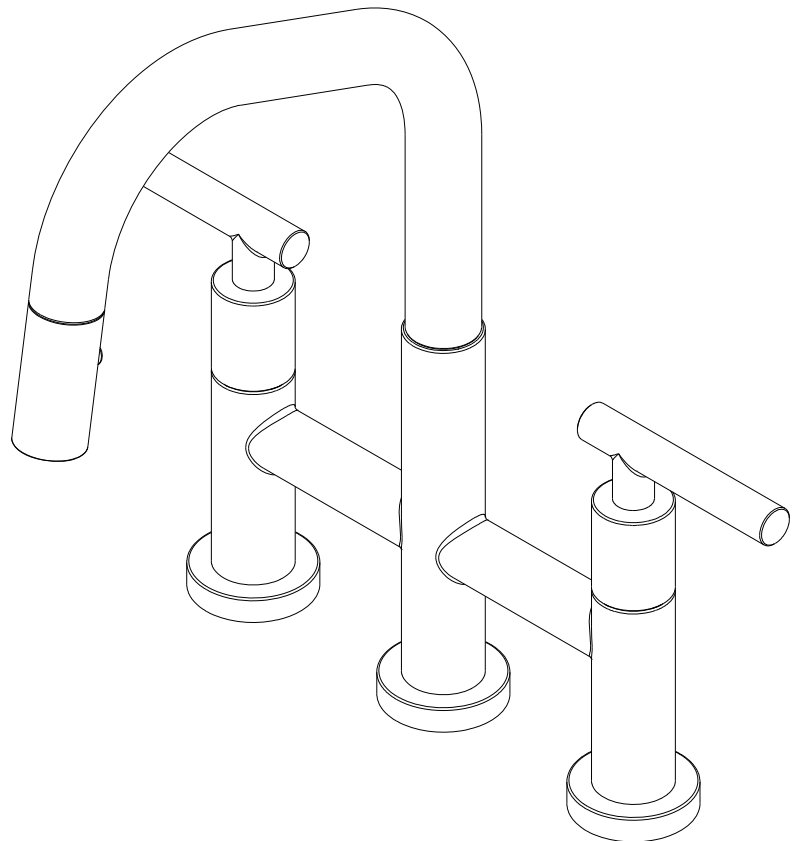
# 1400-5463



### Codes / Standards Compliance

Meets or exceeds the following at date of manufacture:

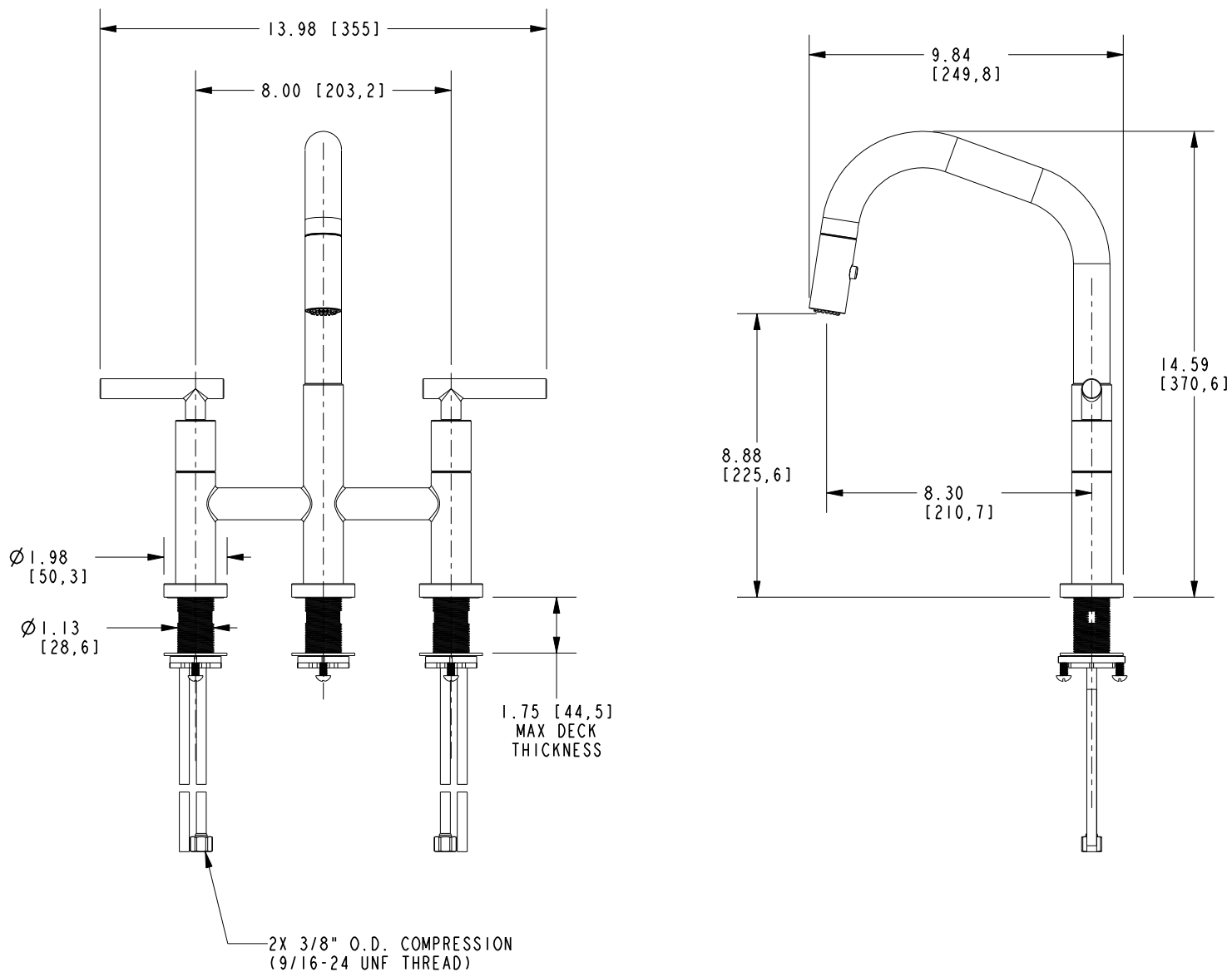
ASME A112.18.1/CAS B125.1-18  
IAPMO/cUPC  
NSF/ANSI/CAN 61, SECTION 9  
NSF/ANSI 372  
IPC  
ADA & ICC/ANSI A117.1 (Handle Only)  
Energy Policy Act of 1992  
California Energy Commission  
ASME A112.18.3 (Back Flow)  
All applicable US Federal and State material regulations



# 1400-5463

## PRODUCT DIMENSIONS *(Units are in inches)*

Product Dimensions are provided for reference only. For specific product installation guidelines, please reference the Installation Instructions of the product being installed.



PULL-DOWN BRIDGE STYLE FAUCET

1400-5463

Page 2 of 2  
EN-4903-4  
REV E

**NEWPORT BRASS**  
Flawless Beauty. From Faucet to Finish.

t: 949.417.5207 | [www.newportbrass.com](http://www.newportbrass.com)  
©2025 NewportBrass