

## EAST SQUARE

### BRIDGE STYLE KITCHEN FAUCET

# 1400-5402

### Features

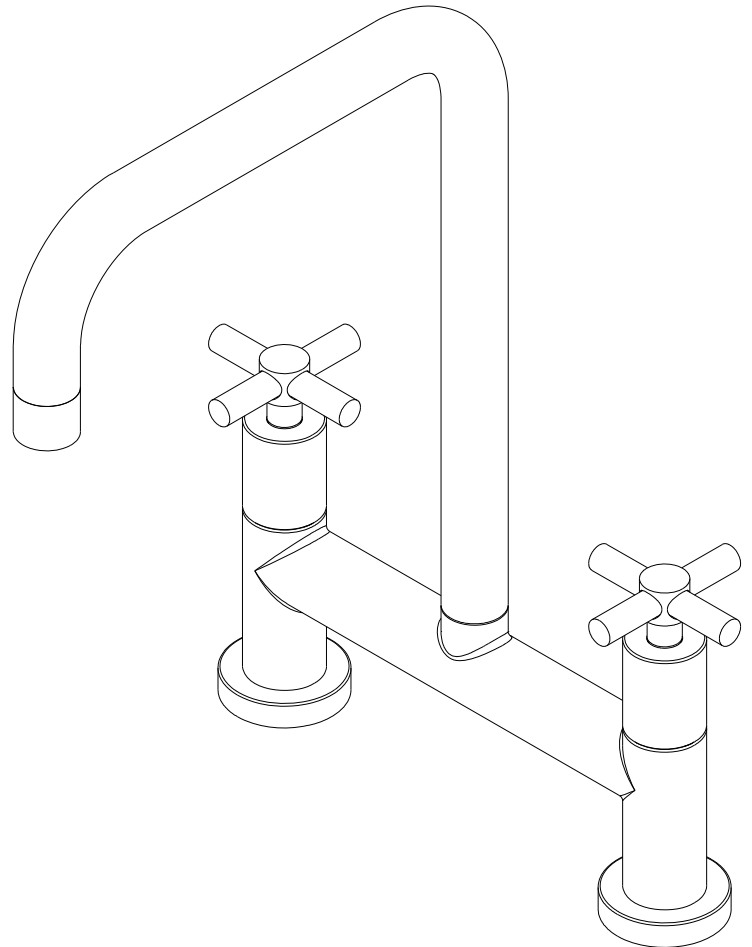
Solid brass construction  
Bridge-style brass valve bodies  
Quarter-turn washerless ceramic disc valve cartridges  
Swivel Spout assembly  
11.20" (28.4 cm) spout height at outlet  
9.00" (22.8 cm) spout reach (c-c)  
For 8.00" (20.3 cm) centers  
ADA Compliant  
1.8 GPM (6.8 LPM) Max



### Codes / Standards Compliance

Meets or exceeds the following at date of manufacture:

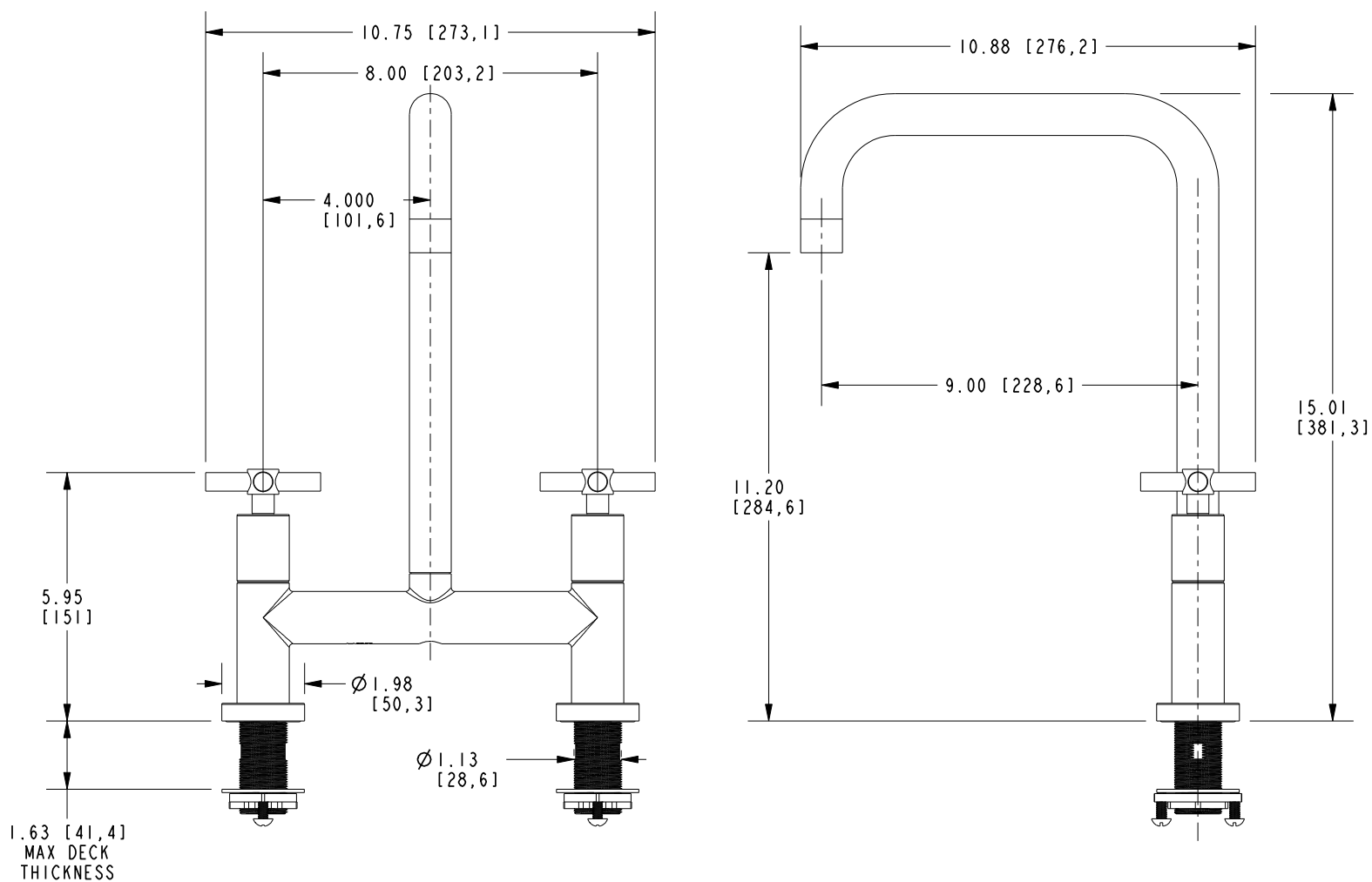
ASME A112.18.1/CSA B125.1-18  
IAPMO/cUPC  
NSF/ANSI 61, SECTION 9  
NSF/ANSI 372  
IPC  
ADA & ICC/ANSI A117.1  
Energy Policy Act of 1992  
California Energy Commission  
All applicable US Federal and State material regulations



# 1400-5402

## PRODUCT DIMENSIONS *(Units are in inches)*

Product Dimensions are provided for reference only. For specific product installation guidelines, please reference the Installation Instructions of the product being installed.



BRIDGE STYLE KITCHEN FAUCET

1400-5402

Page 2 of 2  
EN- 4903-3  
REV D

**NEWPORT BRASS**  
Flawless Beauty. From Faucet to Finish.

t: 949.417.5207 | [www.newportbrass.com](http://www.newportbrass.com)  
©2025 NewportBrass