

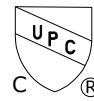
METROPOLE

Vessel Sink / Bar Faucet

1233-1

Features

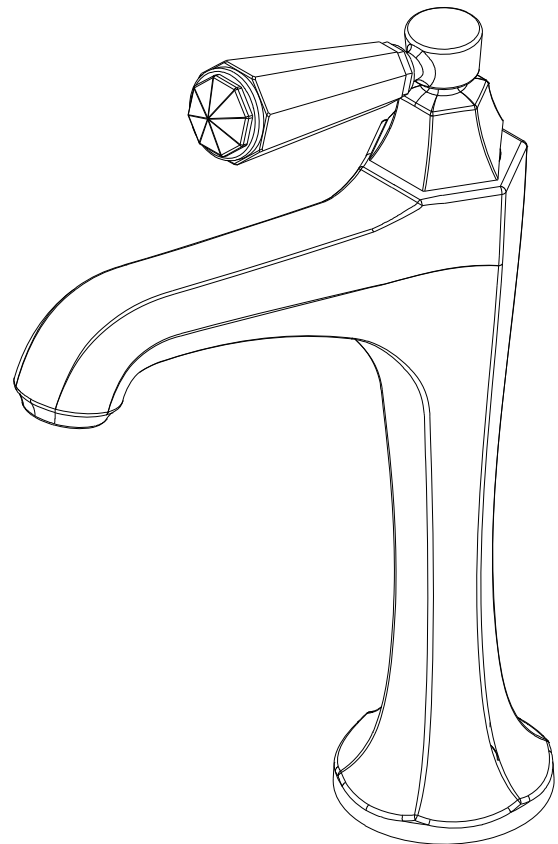
Solid brass construction
Forged brass body with top-mounted handle
Euro-motion ceramic disc 25 mm valve cartridge
ADA compliant traditional crystal lever handle
Spout assembly with integral supply hoses
7.52" (19.1 cm) spout height at outlet
5.59" (14.2 cm) spout reach (c-c)
For single hole configurations
ADA Compliant
1.2 GPM (4.5 LPM) Max



Codes / Standards Compliance

Meets or exceeds the following at date of manufacture:

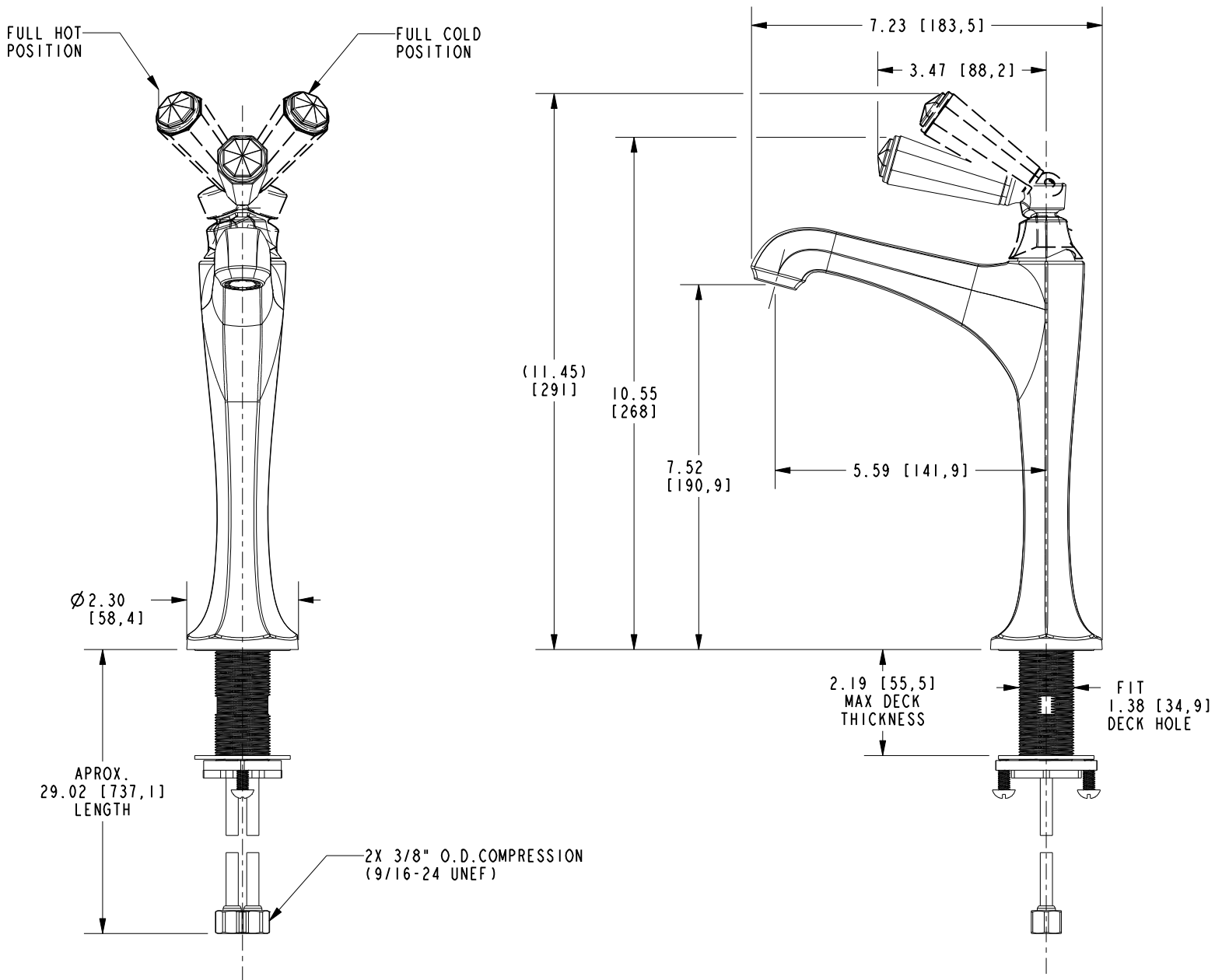
ASME A112.18.1/CSA B125.1
IAPMO/cUPC
NSF/ANSI/CAN 61, SECTION 9
NSF/ANSI 372
IPC
ADA & ICC/ANSI A117.1
Energy Policy Act of 1992
EPA WaterSense
California Energy Commission
All applicable US Federal and State material regulations



1233-1

PRODUCT DIMENSIONS (Units are in inches)

Product Dimensions are provided for reference only. For specific product installation guidelines, please reference the Installation Instructions of the product being installed.



Vessel Sink / Bar Faucet

1233-1

Page 2 of 2
EN-4816-1
REV J

NEWPORT BRASS
Flawless Beauty. From Faucet to Finish.

t: 949.417.5207 | www.newportbrass.com
©2024 Brasstech, Inc.