

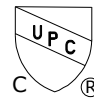
## METROPOLE

### Features

Solid brass construction  
Forged brass body with top-mounted handle  
Euro-motion ceramic disc 25 mm valve cartridge  
Spout assembly with integral supply hoses  
Push pop-up drain with tailpiece  
4.32" (11.0 cm) spout height at outlet  
5.59" (14.2 cm) spout reach (c-c)  
For single hole configurations  
ADA Compliant  
1.2 GPM (4.5 LPM) Max

### SINGLE HOLE LAVATORY FAUCET

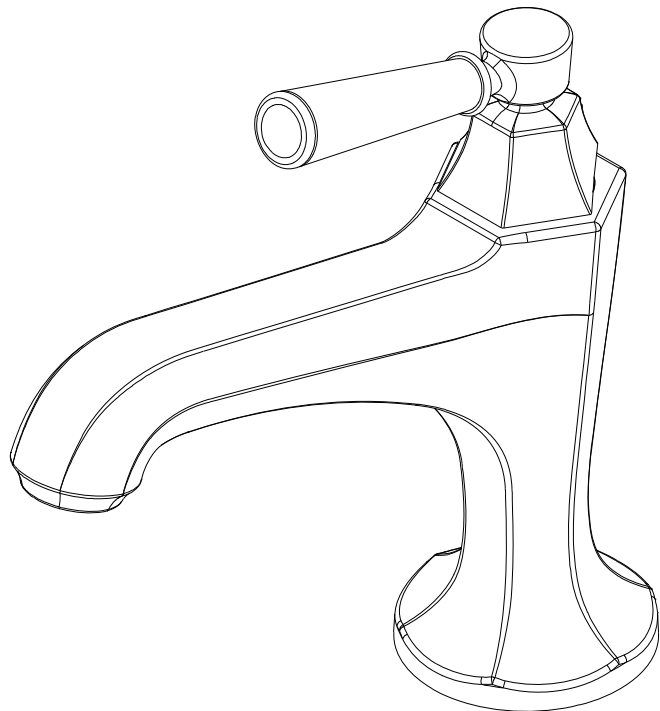
# 1203



### Codes / Standards Compliance

Meets or exceeds the following at date of manufacture:

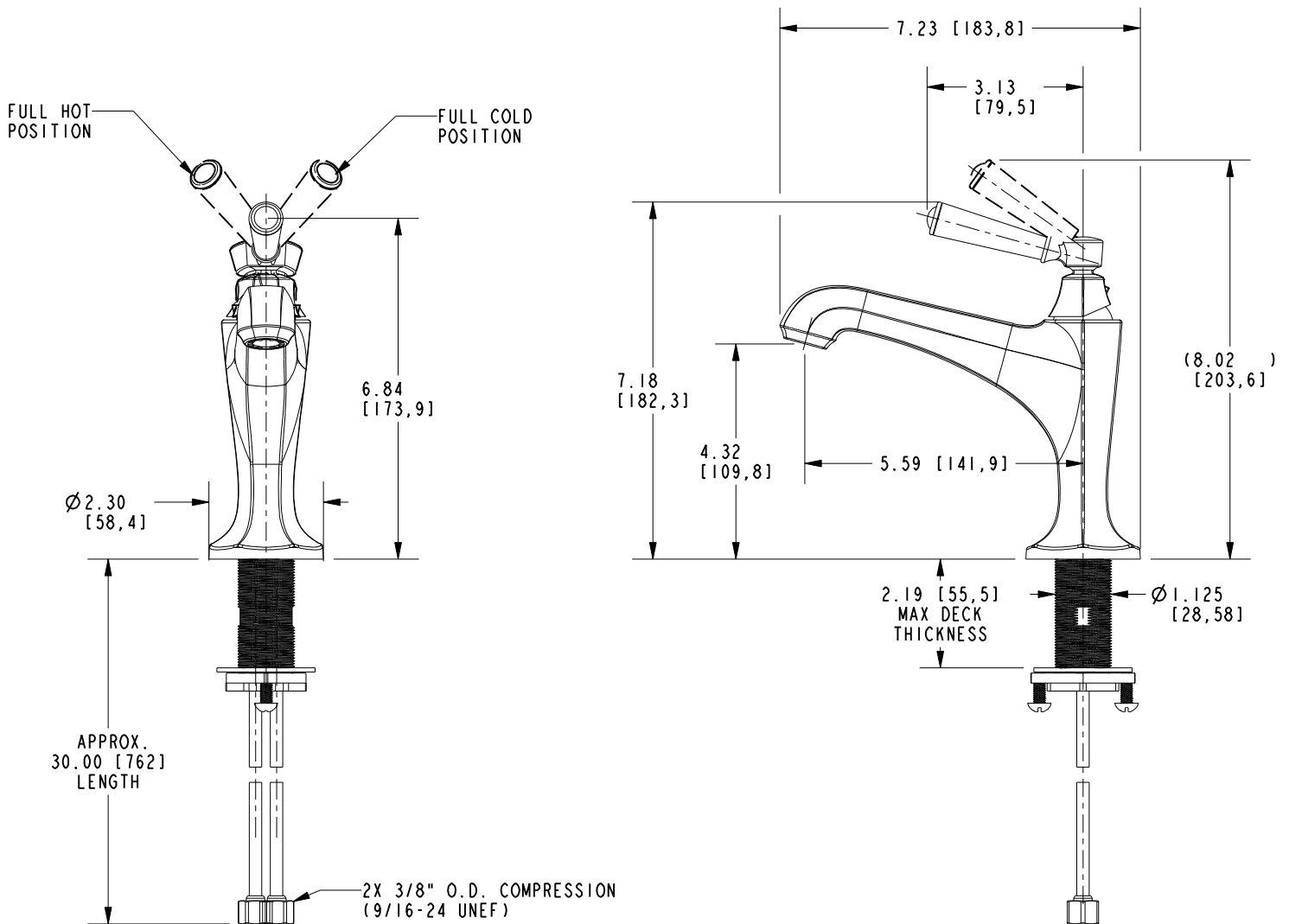
ASME A112.18.1/CSA B125.1  
IAPMO/cUPC  
NSF/ANSI/CAN 61, SECTION 9  
NSF/ANSI 372  
IPC  
ADA & ICC/ANSI A117.1  
Energy Policy Act of 1992  
EPA WaterSense  
California Energy Commission  
All applicable US Federal and State material regulations



# 1203

## PRODUCT DIMENSIONS *(Units are in inches)*

Product Dimensions are provided for reference only. For specific product installation guidelines, please reference the Installation Instructions of the product being installed.



SINGLE HOLE LAVATORY FAUCET

1203

Page 2 of 2  
EN-4816-1  
REV K

**NEWPORT BRASS**  
Flawless Beauty. From Faucet to Finish.

t: 949.417.5207 | [www.newportbrass.com](http://www.newportbrass.com)  
©2024 Brasstech, Inc.