

ANNABELLA

Features

Solid brass construction
Double-post design with spring-loaded roller
Complements Annabella product series

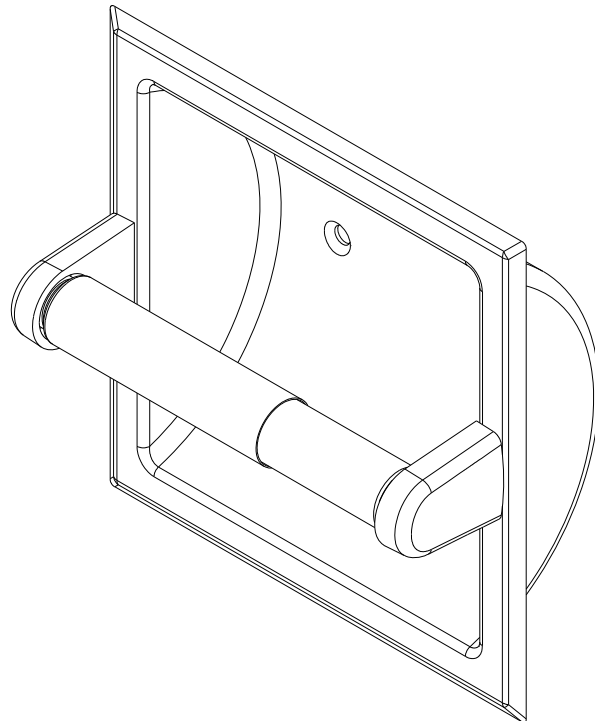
TOILET TISSUE HOLDER

10-89

Codes / Standards Compliance

Meets or exceeds the following at date of manufacture:

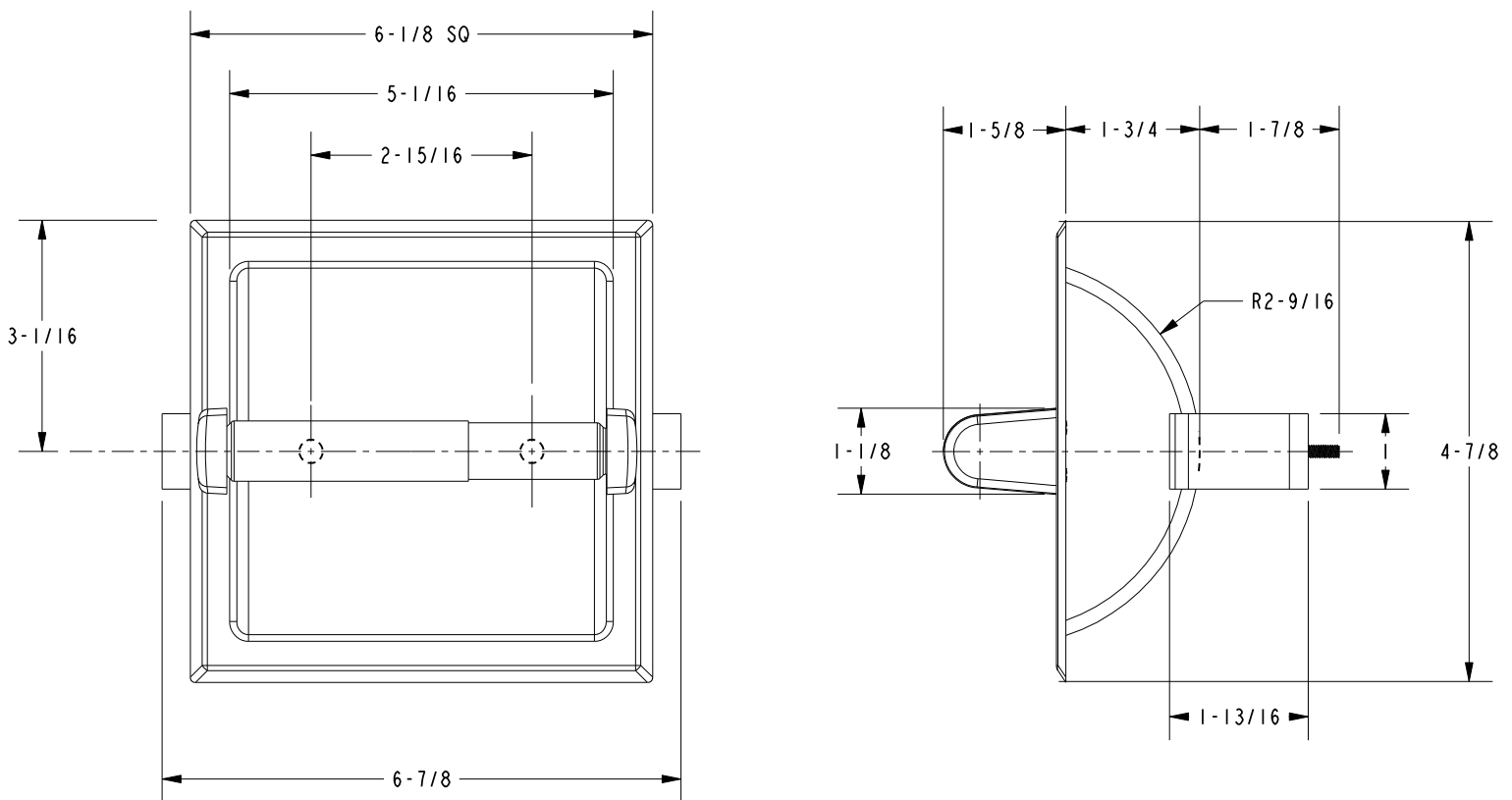
All applicable US Federal and State material regulations



10-89

PRODUCT DIMENSIONS *(Units are in inches)*

Product Dimensions are provided for reference only. For specific product installation guidelines, please reference the Installation Instructions of the product being installed.



TOILET TISSUE HOLDER

10-89

Page 2 of 2
EN- 5022
REV A

NEWPORT BRASS
Flawless Beauty. From Faucet to Finish.

t: 949.417.5207 | www.newportbrass.com
©2025 NewportBrass