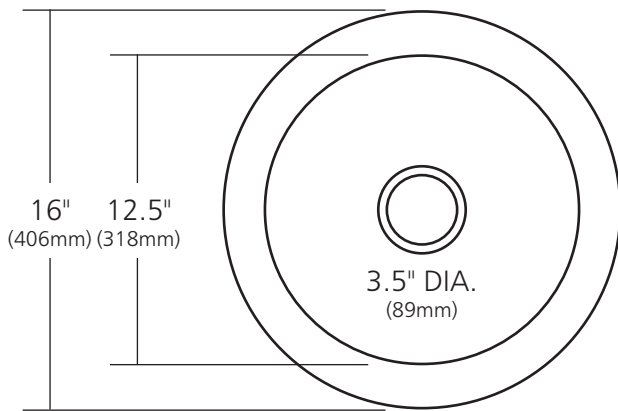


SPECIFICATIONS

POZO

NativeStone™ Collection



NSB1608-A Ash
NSB1608-S Slate
NSB1608-P Pearl

PRODUCT DETAILS

- 16" x 8" OD (406mm x 203mm)
- 12.5" x 7.25" ID (318mm x 184mm)
- 3.5" (89mm) drain opening
- Handcrafted from sustainable NativeStone™
- Sealed with impermeable nano sealer

INSTALLATION

- Drop-in

COORDINATING PRODUCTS

- Drains: DR320 or DR340
- Bottom Grid: Use GR951

STANDARDS COMPLIANCE

- UPC/cUPC compliant

IMPORTANT

Due to the handcrafted nature of this product, it will vary in finish, texture, and other details. Dimensions may vary up to 1/2" (13mm). We strongly recommend waiting for the actual product before making any installation cuts.

