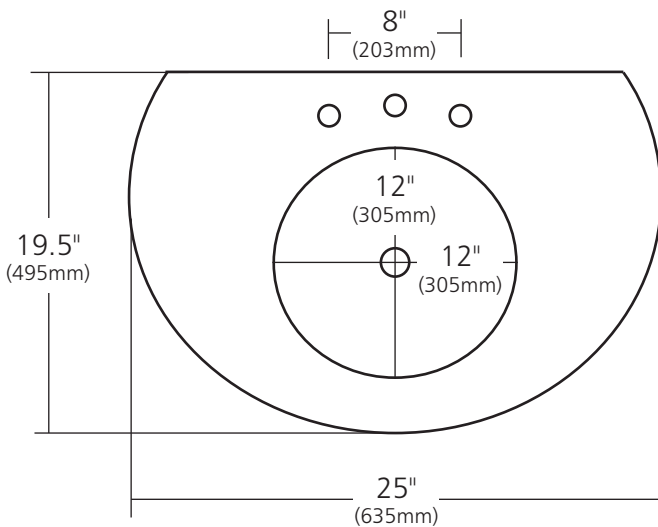


SPECIFICATIONS

**BORDEAUX COPPER
VANITY TOP**

VNT202- Antique

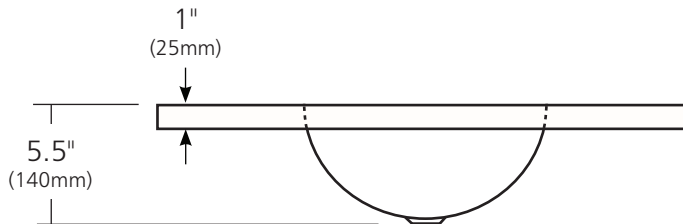


PRODUCT DETAILS

- 25" x 19.5" OD (635mm x 495mm)
- Basin: 12" x 12" x 5.5" ID (305mm x 305mm x 140mm)
- Hand hammered, 16 gauge recycled copper
- 1.5" (38mm) drain opening
- Drilled for 8" (203mm) faucet spread
- Dimensions are not exact and may vary $\pm 1/2"$ (13mm)

COORDINATING PRODUCTS

- Bordeaux Wall Mount
- Drains: DR120, DR150 or DR160
- Bordeaux Mirror
- Sedona Mirrors



IMPORTANT

Due to the handcrafted nature of this product, it will vary in finish, texture, hammering, and other details. Dimensions may vary up to 1/2" (13mm).