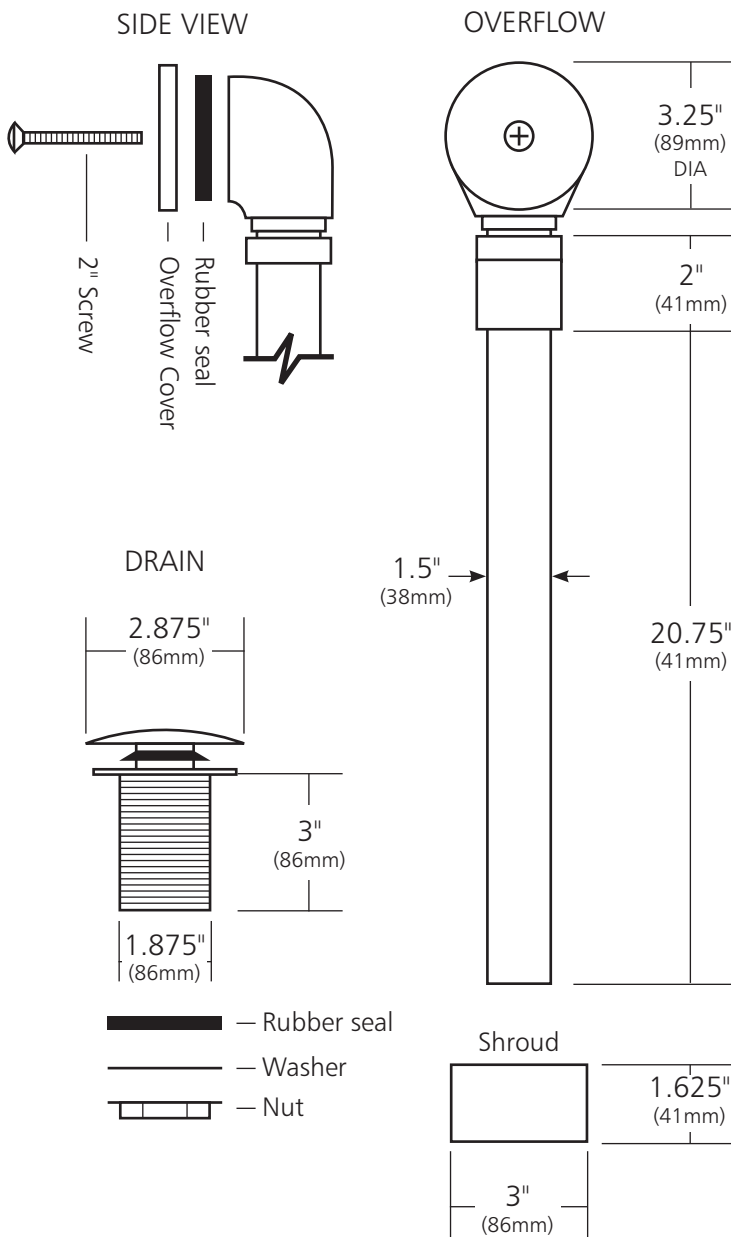


SPECIFICATIONS

**PUSH TO SEAL BATH
WASTE & OVERFLOW**

Bathtub



DR290-BN Brushed Nickel
 DR290-ORB Oil Rubbed Bronze
 DR290-PN Polished Nickel

PRODUCT DETAILS

- For use with sub-floor tub waste connection
- Drain & Overflow perfect for thick walled tubs (up to 2" thick)
- Pivoting head ensures snug fit
- Push to seal drain
- Fully plated

COORDINATING PRODUCTS

- Avalon 72 and Avalon 62