

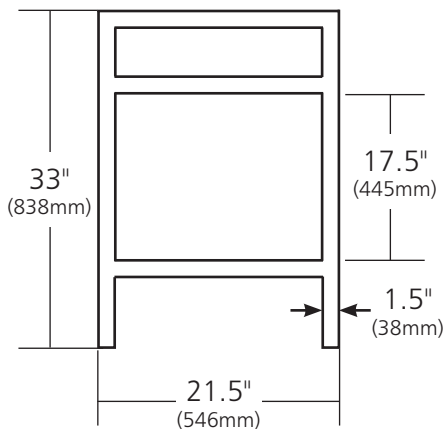
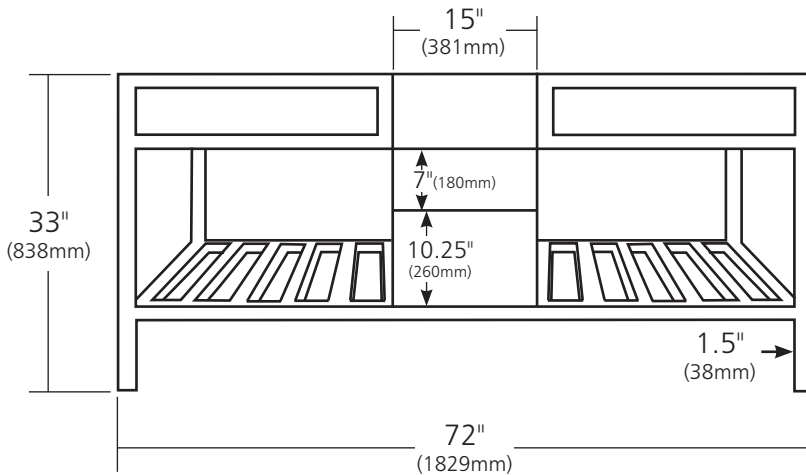
SPECIFICATIONS

72" CUZCO VANITY

Cuzco Collection



Carrara



- VNR722 Antique
- VNR725 Brushed Nickel
- VNR726 Carrara

PRODUCT DETAILS

- 72" w x 21.5" d x 33" h (1829mm x 546mm x 838mm)
- Handcrafted, powder-coated steel frame with hand-hammered recycled copper or Carrara marble panels
- Two push-to-open drawers

INSTALLATION

- Freestanding vanity base

COORDINATING PRODUCTS

- Any Native Trails stone or quartz vanity top
- Decorative bottle trap
- Havana, Cuzco or Asana Mirror
- Cuzco Linen Tower
- Any Native Trails lavatory sink(s) 48" (1219mm) wide or less

IMPORTANT

Due to the handcrafted nature of this product, it will vary in finish, texture, and other details. Dimensions may vary up to 1/2" (13mm).