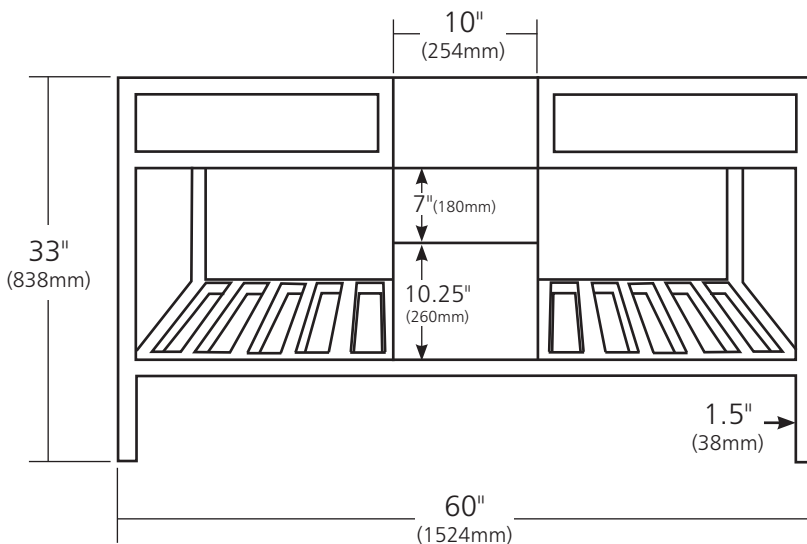


SPECIFICATIONS

60" CUZCO VANITY

Cuzco Collection



- VNR602 Antique
- VNR605 Brushed Nickel
- VNR606 Carrara

PRODUCT DETAILS

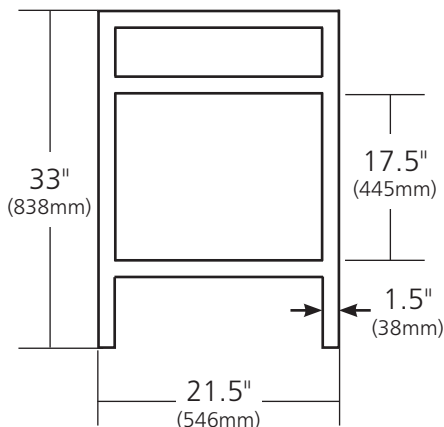
- 60"w x 21.5"d x 33"h (1524mm x 546mm x 838mm)
- Handcrafted, powder-coated steel frame with hand-hammered recycled copper or Carrara marble panels
- Two push-to-open drawers

INSTALLATION

- Freestanding vanity base

COORDINATING PRODUCTS

- Any Native Trails stone or quartz vanity top
- Decorative bottle trap
- Havana, Cuzco or Asana Mirror
- Cuzco Linen Tower
- Any Native Trails lavatory sink(s) 48" (1219mm) wide or less



IMPORTANT

Due to the handcrafted nature of this product, it will vary in finish, texture, and other details. Dimensions may vary up to 1/2" (13mm).