

Brightwork Collection

Undermount Kitchen Sink

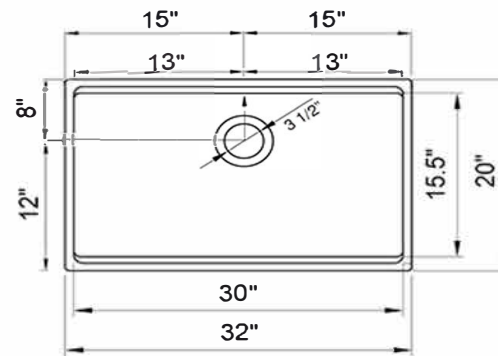


MODEL:

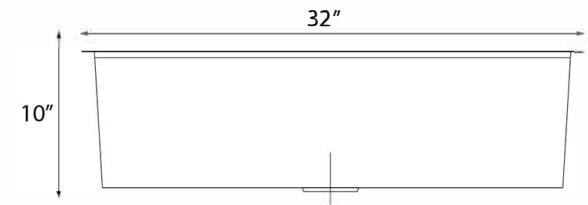
KSSH-PS-3220



TOP VIEW



FRONT VIEW



Overall Dimensions	Interior Dimensions	Bowl Height	Bowl Depth	Drain Dimensions
32" x 20"	30" x 15.5"	10"	9.5"	3.5" Opening

Features

- Accessory Ledge With Acacia Wood Cutting Board
- Shown With Optional Bottom Grid - BG-SS-PRO3018
- Hand Hammered Stainless Steel
- 3.5" Drain Opening
- Nominal Dimensions May Vary By .25"
- 16 Gauge Stainless Steel
- 9.5" Bowl Depth
- Undermount Or Top Mount Installation
- Garbage Disposal Safe

PROJECT/ NAME:

ARCHITECT/CONTRACTOR:

MODEL:

JOB NOTES: