

### iDream Package®

Innovation, luxury, and ease are at the core of Mr.Steam's flagship iDream Package®. All the components of an exquisite steam system combine to create the convenience and comfort of a home spa retreat.

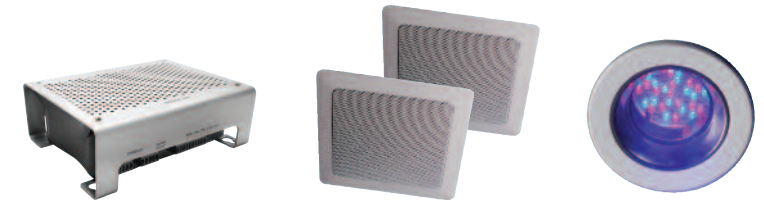


#### BOX CONTENT

##### iDREAM PACKAGE

For models MS 90E to MS Super 3E

- iSteam® Touch Control
- Matching iSteam Steamhead
- iGenie® Remote Control
- AutoFlush®
- Drip Pan
- AromaSteam Oil Delivery System
- ChromaSteam® Mood Lighting System
- AudioWizard® 2.0 Sound System
- Pair of In-shower MusicTherapy® Square Speakers
- Liter Eucalyptus Oil
- Tala® Gift Set



##### iDREAM PACKAGE 2

For model MS Super 4E to MS Super 6E

Same as iDream Package with an additional iSteam Steamhead, AutoFlush, and Drip Pan.

**NOTE:** When ordered with the linear steamhead, standard steam head(s) are replaced with 104216 linear steamhead(s).

**FOR ILLUSTRATIVE PURPOSES ONLY. IMPORTANT NOTE: FOR SAFE AND TROUBLE FREE INSTALLATION** visit [mrsteam.com](http://mrsteam.com) or scan the QR code before installation to download the Installation, Operation and Maintenance Manual or refer to the manual provided with the unit.



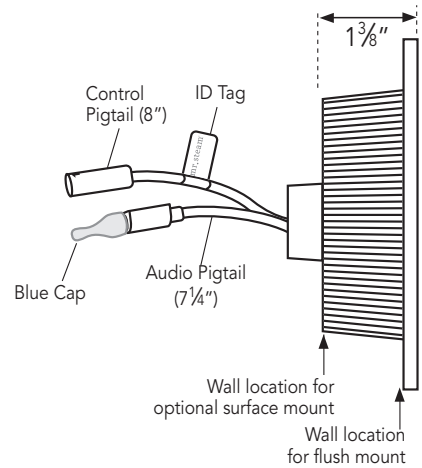
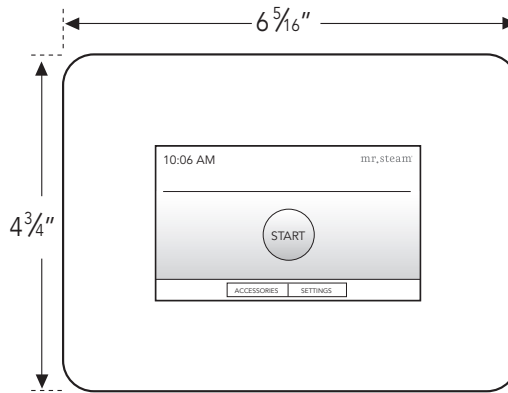
MODEL	FINISH	PROJECT INFORMATION	
<input type="checkbox"/> iDream	<input type="checkbox"/> Black	Location:	Contractor:
<input type="checkbox"/> iDream2	<input type="checkbox"/> White	Architect:	Submitted By:
OPTIONS: <input type="checkbox"/> Linear Steamhead		Engineer:	Date:
Notes:			

### iSteam® 2.0 Control

#### Box Contents:

- iSteam® 2.0 Control
- Owner's Manual
- Control Cable (30 ft.)
- Rough-In Box
- Steamhead
- Optional Surface
- Tube of Silicone Sealant Mount Gasket

#### Dimensional Information



iSteam controls flush mount in the steam/shower enclosure through a 5-1/4" wide x 3-9/16" high hole. iSteam controls can also be surface mounted. They are suitable for use with an available iGenie® control. Available in black or white.

iSteam controls are suitable for use inside or outside the steam/shower enclosure, featuring:

- Full color LCD touch screen
- Programmable temperature
- Programmable time
- Two user presets
- AromaSteam, ChromaSteam® and AudioWizard™ controls
- Passcode to prevent unintentional use of steam bath
- Includes AromaSteam steam head in white or black
- Compatible with iGenie®
- Low voltage operation

The iSteam controls are designed to be installed inside or outside the steam room but is primarily installed inside the steam room. If the control is installed inside the steam room the control must be located:

- 4-5 feet above the floor
- In a location representative of the desired steam bathing temperatures near the bather seating area. Do not locate the control above or near the steam head or direct steam emissions.
- On a vertical wall

The control cable length is 30 feet. Insure that the control and/ or steam generator are located accordingly. An optional 60 ft. cable is available if required, PN 104117-60. If the control is installed outside the steam room a Remote Temperature Probe Part Number iMSTS must be installed inside the steam room.

#### FOR ILLUSTRATIVE PURPOSES ONLY. IMPORTANT NOTE: FOR SAFE AND TROUBLE FREE INSTALLATION

visit [mrsteam.com](http://mrsteam.com) or scan the QR code before installation to download the Installation, Operation and Maintenance Manual or refer to the manual provided with the unit.

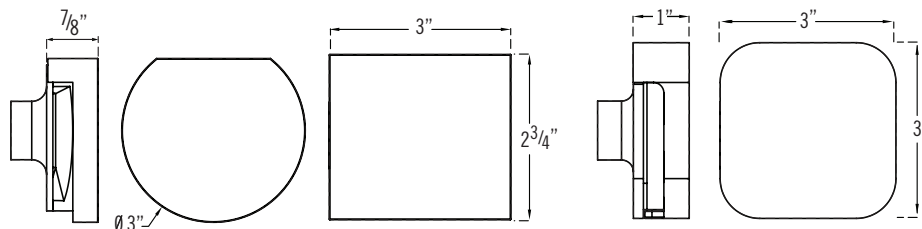


MODEL	FINISH	PROJECT INFORMATION	
ISTEAM2.0	<input type="checkbox"/> Black	Location:	Contractor:
	<input type="checkbox"/> White	Architect:	Submitted By:
		Engineer:	Date:
Notes:			

### AromaSteam Steamhead

Round 103937, Square 104040, 104104-iSteam, 104104-AirTempo

- Even distribution of steam while remaining cool to the touch
- No field assembly required
- No moving parts
- Integrated aromatherapy oil well for in shower use



### Installing the Round & Square Steamhead

#### STEAMHEAD INSTALLATION (1/2" NPT)

**IMPORTANT:** Do not disassemble steamhead. Mr.Steam's steam head is shipped fully assembled and requires no additional assembly.

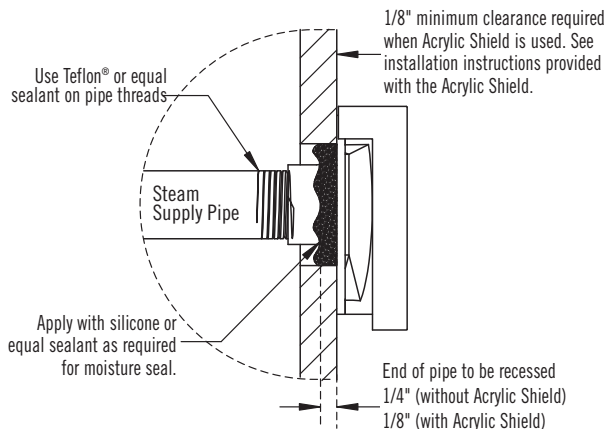
**CAUTION** Because the steamhead and direct steam emissions are very hot, locate the steamhead where incidental contact by bather with the steamhead or direct steam emission cannot occur.

**NOTE:** A 1.5" clearance hole around the steam pipe is needed to mount the steamhead.

Locate steamhead 6-12 inches above floor, except for:

- Tub/shower enclosures, install 6 inches above tub top edge.
- For enclosures with acrylic or other non-heat resistant flooring install Acrylic Shield Part Number 103938/10398SQ

**IMPORTANT NOTE:** To preserve steam head finish, do not use wrench or other tools to tighten. DO NOT use abrasive cleansers or chemicals. Use only water with mild soap and a non-abrasive sponge.



**CAUTION** Consult with supplier of acrylic, fiberglass and other non-heat resistant enclosures for recommended steamhead location. Use Acrylic Shield PN 103938/103938SQ. See instructions provided with steam shield. (An acrylic shield is not available for the iSteam steamhead.)

**FOR ILLUSTRATIVE PURPOSES ONLY. IMPORTANT NOTE: FOR SAFE AND TROUBLE FREE INSTALLATION**

visit [mrsteam.com](http://mrsteam.com) or scan the QR code before installation to download the Installation, Operation and Maintenance Manual or refer to the manual provided with the unit.



MODEL	FINISH	PROJECT INFORMATION
<input type="checkbox"/> 103937-Round	<input type="checkbox"/> BB Brushed Bronze	Location:
<input type="checkbox"/> 104040-Square	<input type="checkbox"/> BN Brushed Nickel	Architect:
<input type="checkbox"/> 104104-iSteam*	<input type="checkbox"/> ORB Oil Rubbed Bronze	Engineer:
<input type="checkbox"/> 104104-AirTempo**	<input type="checkbox"/> PB Polished Brass	Contractor:
	<input type="checkbox"/> PC Polished Chrome	Submitted By:
	<input type="checkbox"/> PN Polished Nickel	Date:
	<input type="checkbox"/> RAW Custom Plating	Notes:
	<input type="checkbox"/> BLK Black***	
	<input type="checkbox"/> WH White***	

\*iSteam steamhead is only available in black and white

\*\*\*Black and white finish are only available with iSteam steamhead

\*\* For AirTempo select black or white with a decorative finish

### iGenie®

#### iGENIE INTERFACE MODULE INSTALLATION

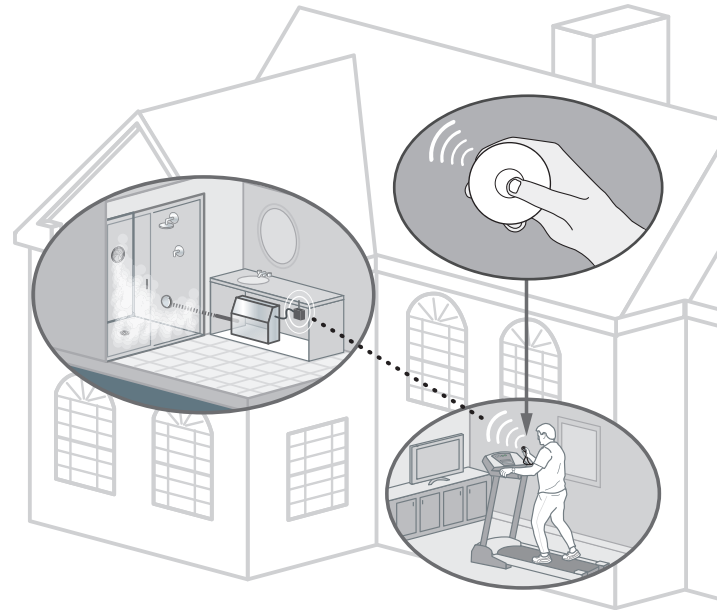
- Connect the iGenie Interface Module to the generator by plugging in the provided 5 foot cable to the iGenie Interface Module and the Steam Genie connector on the side of the generator as shown.
- Mount the iGenie Interface Module in a dry, indoor location. For maximum range, the Steam Genie Interface Module should be mounted as high as practical and away from metal that could effect the radio signal. Securing it to a nearby wood stud is ideal. The antenna should be pointing upwards.

#### iGENIE OPERATION

- When the Steam Genie FOB light is off, press the button once and the Steam Genie FOB light indicates if the steam is on or off. When you press the button, the light will momentarily twinkle between red and green. A red light indicates that the steam is off and a green light indicates that the steam is on.
- To turn the steam on or off, press the ON/OFF button again while the light is illuminated. After a short delay the light will change from red to green (steam on) or green to red (steam off).

#### BOX CONTENT

- iGenie®
- iGenie Wall Mount
- Interface Module
- 2 Module mounting Screws
- 5 ft. Module Connection Cable
- Installation and Operation Instructions
- A wall mounted magnet is provided with the iGenie control as an optional convenience.



#### FOR ILLUSTRATIVE PURPOSES ONLY. IMPORTANT NOTE: FOR SAFE AND TROUBLE FREE INSTALLATION

visit [mrsteam.com](http://mrsteam.com) or scan the QR code before installation to download the Installation, Operation and Maintenance Manual or refer to the manual provided with the unit.



MODEL	FINISH	PROJECT INFORMATION	
iGenie	<input type="checkbox"/> Black	Location:	Contractor:
	<input type="checkbox"/> White	Architect:	Submitted By:
		Engineer:	Date:
Notes:			

### AutoFlush®

#### AutoFlush Shown Fully Assembled

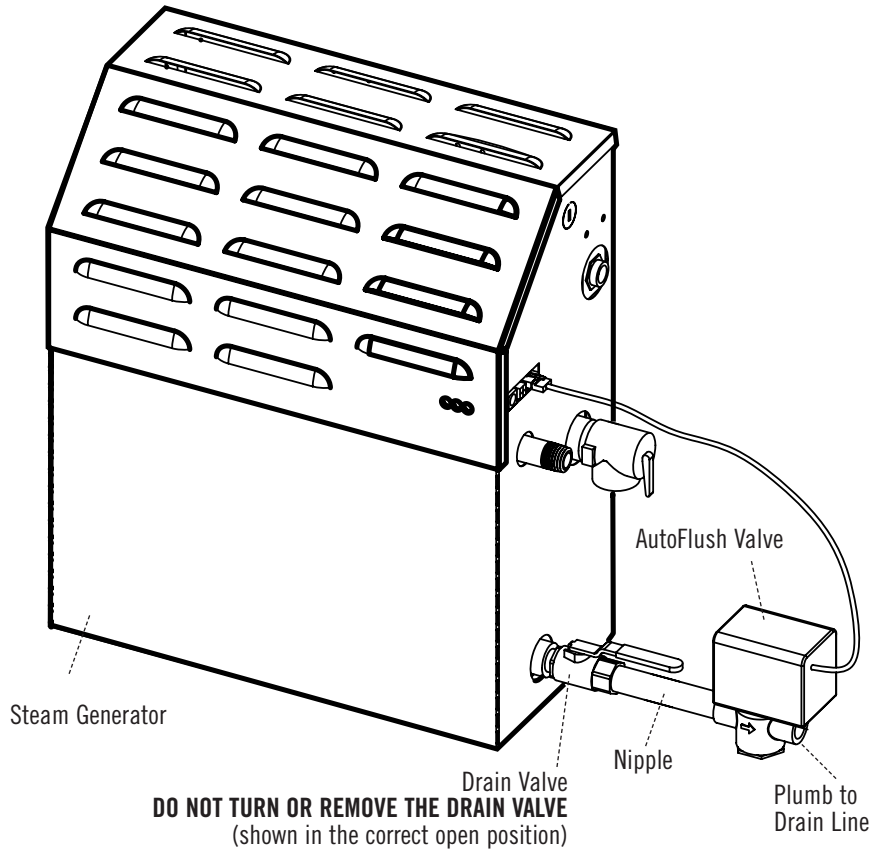
#### Box Contents

- AutoFlush Valve with Cord
- Installation instructions

#### Operation

The optional AutoFlush System feature automatically drains the Mr.Steam® system following each use. A time delay allows the water to cool down (about two hours) before it drains by gravity for a safe and gentle operation.

**Note:** If the Express Steam® option has been installed, the AutoFlush will drain for ten minutes then refill with fresh water to begin the pre-heat cycle.



Our exclusive AutoFlush® automatically and electronically drains the system, providing CleanSteam... Every Time® and introduces fresh water.

**FOR ILLUSTRATIVE PURPOSES ONLY. IMPORTANT NOTE: FOR SAFE AND TROUBLE FREE INSTALLATION** visit [mrsteam.com](http://mrsteam.com) or scan the QR code before installation to download the Installation, Operation and Maintenance Manual or refer to the manual provided with the unit.



MODEL	PROJECT INFORMATION	
MS 81500E	Location:	Contractor:
	Architect:	Submitted By:
	Engineer:	Date:
Notes:		

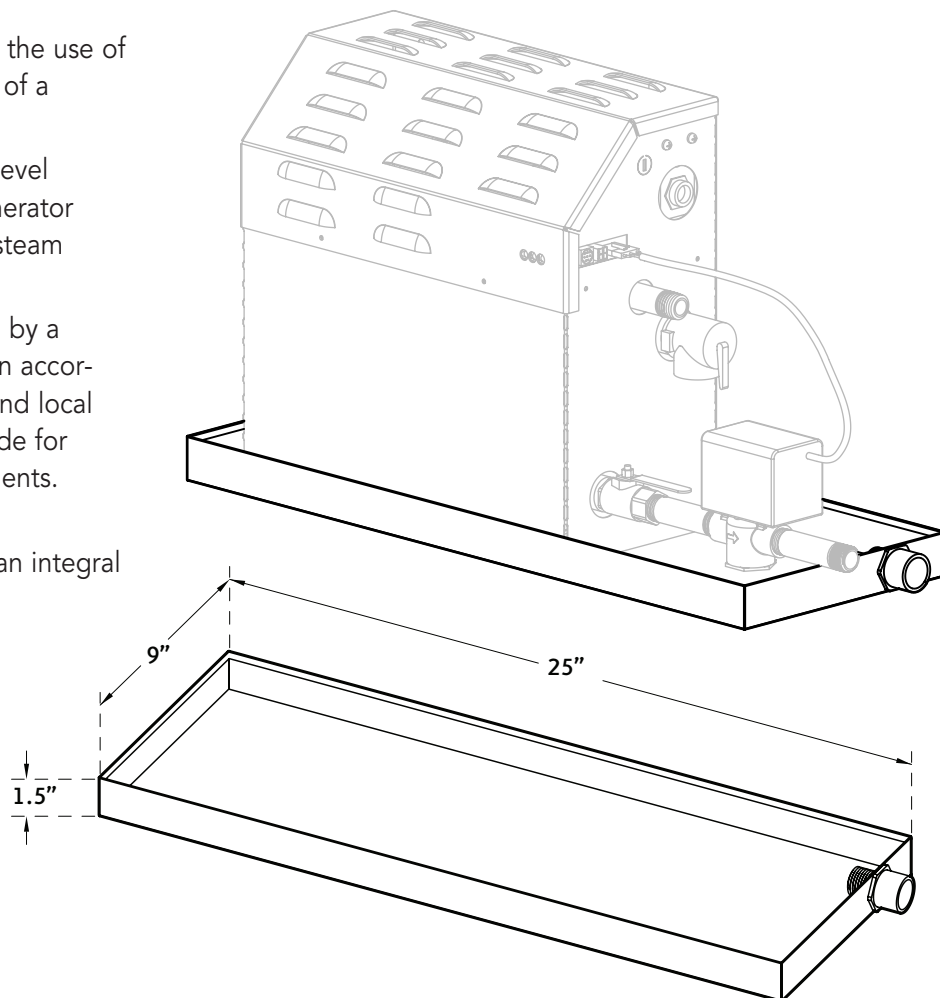
### Drip Pan MS 103867

Mr. Steam strongly recommends the use of a drain pan in the unlikely event of a plumbing leak.

Locate the drain pan on a solid level surface and place the steam generator inside the drain pan. Insure the steam generator is level.

All plumbing shall be performed by a qualified licensed plumber and in accordance with applicable national and local codes. Check local plumbing code for receptor, trap and vent requirements. Drain pans drain by gravity.

The drain pan is equipped with an integral 3/4" NPT fitting.



**FOR ILLUSTRATIVE PURPOSES ONLY. IMPORTANT NOTE: FOR SAFE AND TROUBLE FREE INSTALLATION** visit [mrsteam.com](http://mrsteam.com) or scan the QR code before installation to download the Installation, Operation and Maintenance Manual or refer to the manual provided with the unit.



MODEL	PROJECT INFORMATION	
MS 103867	Location:	Contractor:
	Architect:	Submitted By:
	Engineer:	Date:
Notes:		

### AromaSteam

**CONTENTS:**

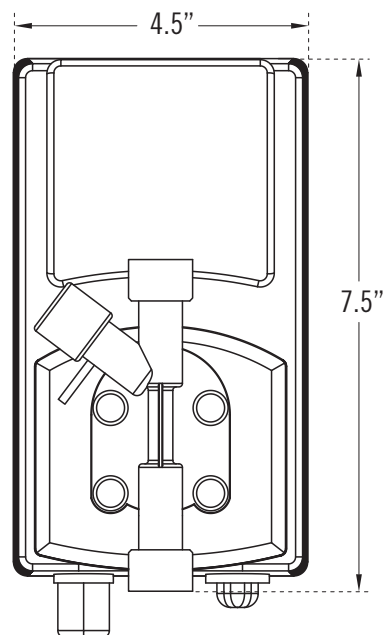
- 6 feet of pressure hose
- 2 feet of suction hose
- Filter
- Atomizing Nozzle
- Installation and Operation Manual

- Electronic oil delivery system evenly infuses scent into steam
- Complete with hoses, fittings and oil atomizer
- Can be controlled directly from an iSteam® or iTempoPlus®
- AromaSteam System oils available in one-liter bottles
- The AromaSteam is rated 0.5 Amps at 120 VAC
- cULus Listed

**NOTE:** AromaSteam is for use with iSteam® or iTempoPlus® only

Mr. Steam offers special formulated & packaged oils for use with the AromaSteam in the following fragrances:

- MS OIL 1: Eucalyptus
- MS OIL 2: Lavender
- MS OIL 3: Evergreen
- MS OIL 4: Energizing Mint
- MS OIL 5: Breathe



Dimensions: 7.5"W x 4.5"H x 4.5"D  
 Weight: 5 pounds  
 Motor voltage 120 VAC, 50/60 Hz  
 Current Draw 0.5 Amps

**FOR ILLUSTRATIVE PURPOSES ONLY. IMPORTANT NOTE: FOR SAFE AND TROUBLE FREE INSTALLATION** visit [mrsteam.com](http://mrsteam.com) or scan the QR code before installation to download the Installation, Operation and Maintenance Manual or refer to the manual provided with the unit.



MODEL	PROJECT INFORMATION	
MS AROMA	Location:	Contractor:
	Architect:	Submitted By:
	Engineer:	Date:
Notes:		



### ChromaSteam®

#### BOX CONTENTS

The MS CHROMA includes all of the following:

- (1) Installation and Operation Manual
- (1) Light Fixture, Lens & LED Cluster
- (1) Tube of Silicone
- (1) 30 ft. cable for use with eTempoPlus

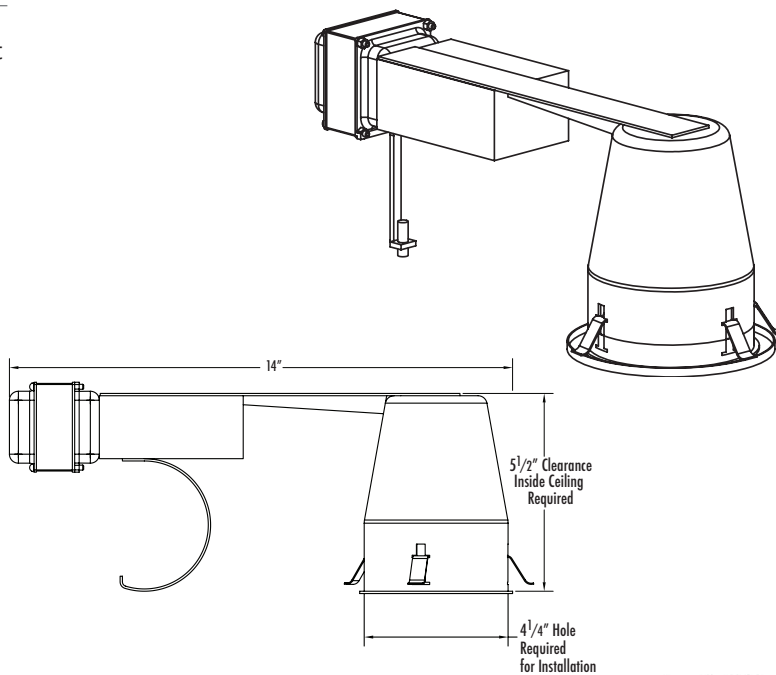
**IMPORTANT NOTE:** The ChromaSteam® System is for mood lighting only and not a substitute for general illumination.

ChromaSteam® is rated 14.4 watts at 120 VAC



Depending on the installation, the user can select from the following color modes using either a standard wall switch or the CHROMA button on their iSteam® or iTempoPlus® control.

- |                 |   |
|-----------------|---|
| a. Bright White | f. Green                                |
| b. Blue/Green   | g. Red                                  |
| c. Violet       | h. Chameleon<br>(slow automatic cycle)  |
| d. Blue         | i. Party Mode<br>(fast automatic cycle) |
| e. Yellow       |   |



**FOR ILLUSTRATIVE PURPOSES ONLY. IMPORTANT NOTE: FOR SAFE AND TROUBLE FREE INSTALLATION** visit [mrsteam.com](http://mrsteam.com) or scan the QR code before installation to download the Installation, Operation and Maintenance Manual or refer to the manual provided with the unit.



MODEL	PROJECT INFORMATION	
MS CHROMA-72	Location:	Contractor:
	Architect:	Submitted By:
	Engineer:	Date:
Notes:		



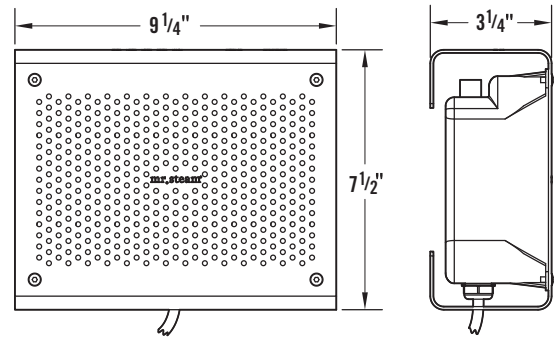
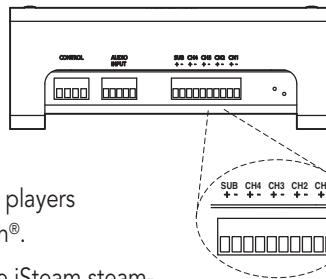
### AudioWizard™

The AudioWizard sound system is the perfect way to introduce music into your steam room or shower. The AudioWizard is easy to install and is compatible with many audio sources such as portable music players and smart phones equipped with Bluetooth®.

The AudioWizard can be controlled with the iSteam steam-bath control or with the AudioWizard stand-alone control.

Just pair your Bluetooth® device and start playing your favorite music. Digital files or internet radio from your audio device will be streamed wirelessly to the AudioWizard.

### Speaker Connections

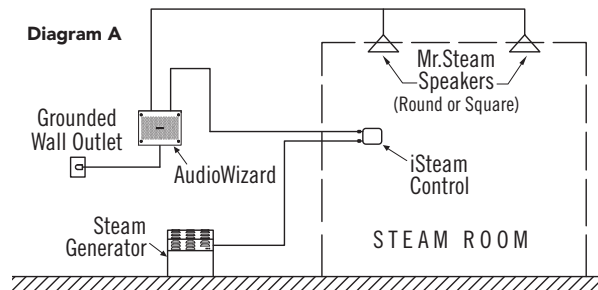


### ⚠ WARNING

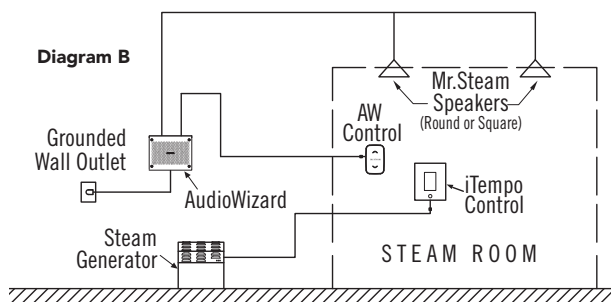
**NOTE:** This unit is designed to connect 4 speakers and one subwoofer.  
**DO NOT** connect speaker ground wires together.  
**DO NOT** bridge channels

### Control Options for the AudioWizard

#### A. Operating the AudioWizard with the iSteam control.



#### B. Operating the AudioWizard with the AudioWizard stand-alone control.



### Locating the AudioWizard

- The AudioWizard control cable is 30ft and the power cord is 6ft, ensure the control and AudioWizard are located accordingly.
- Locate in a dry location where the wireless signal will not be interrupted.
- Test Bluetooth® signal before mounting AudioWizard.

### ⚠ WARNING ELECTRIC SHOCK HAZARD!

To reduce the risk of fire or electric shock, do not expose this apparatus to rain or moisture. DO NOT install AudioWizard in the steam room or any location where it may become wet.

**Part Number:** MS AudioWizard2.0

#### Mechanical

- Weight: 5 pounds
- Dimensions (W x H x D): 9 1/4" x 7 1/2" x 3 1/4"

#### Electrical

- Input Voltage: ~120VAC 50-60Hz
- Max Input Current: 2A
- Speaker Impedance: 4-16 Ohm

#### Auxiliary Input

- Stereo: Yes
- Connection Type: Screw Terminal

#### Audio

- Audio Source Supported:
- Bluetooth streaming and Auxiliary input
- Power Output: 25 watts RMS per channel

#### Compatibility

- Devices with Bluetooth: V 2.0 A, AVDTP

#### Applicable Standards:

FCC



**FOR ILLUSTRATIVE PURPOSES ONLY. IMPORTANT NOTE: FOR SAFE AND TROUBLE FREE INSTALLATION** visit [mrsteam.com](http://mrsteam.com) or scan the QR code before installation to download the Installation, Operation and Maintenance Manual or refer to the manual provided with the unit.

MODEL	PROJECT INFORMATION	
<input type="checkbox"/> MS AUDIOWIZ2.0-IS (for use with iSteam only)	Location:	Contractor:
<input type="checkbox"/> MS AUDIOWIZ2.0-BK (stand alone control)	Architect:	Submitted By:
	Engineer:	Date:
Notes:		

### MusicTherapy® Speakers, Round & Square

- Designed for use inside or outside the shower enclosure
- Ceiling, flush mount
- Square 7.06" x 7.06" Round: 6.5" diameter
- Two-way marine-grade speakers, polypropylene cones
- ABS frames with white powder-coated grills
- Suitable for most sources of audio input
- Rated 60W peak power with full range sound
- 30 watts RMS and 8 ohm impedance
- For use in any shower



**FOR ILLUSTRATIVE PURPOSES ONLY. IMPORTANT NOTE: FOR SAFE AND TROUBLE FREE INSTALLATION** visit [mrsteam.com](http://mrsteam.com) or scan the QR code before installation to download the Installation, Operation and Maintenance Manual or refer to the manual provided with the unit.



MODEL	SHAPE	FINISH	PROJECT INFORMATION	
MS Speakers	<input type="checkbox"/> RD Round	<input type="checkbox"/> BK Black	Location:	Contractor:
	<input type="checkbox"/> SQ Square	<input type="checkbox"/> WH White	Architect:	Submitted By:
			Engineer:	Date:
Notes:				

# Linear Steam Head

104216

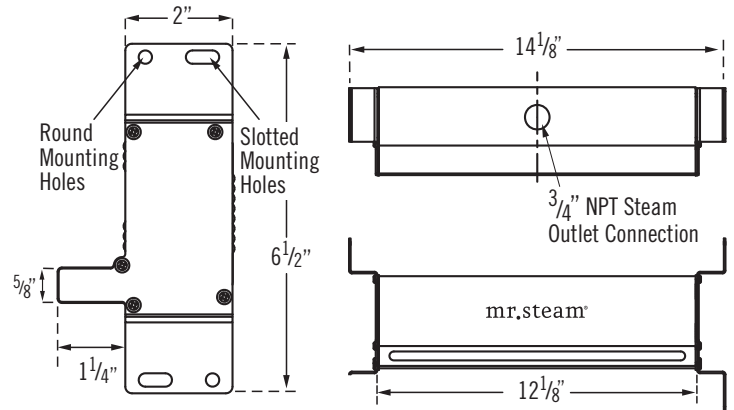
- Quiet, even distribution of steam
- No moving parts
- No field assembly required
- Minimal profile

## Installing the Linear Steamhead

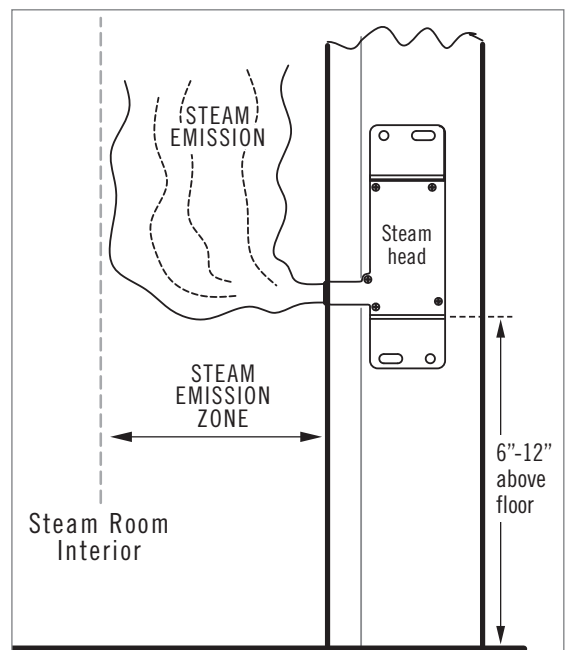
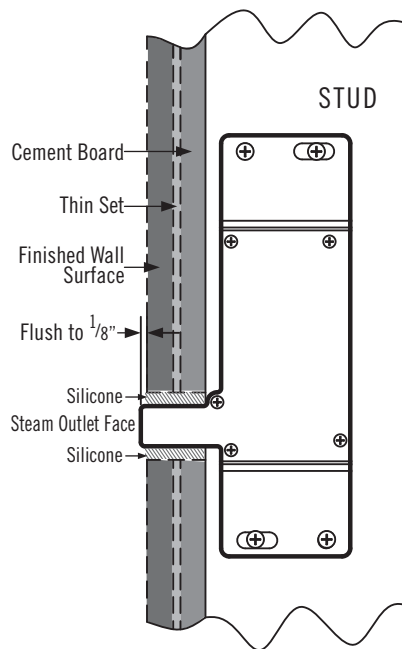
STEAMHEAD INSTALLATION (3/4" NPT)

**IMPORTANT:** Do not disassemble steam head. Mr.Steam's steam head is shipped fully assembled and requires no additional assembly.

Locate steamhead 6-12 inches above floor, except for tub/shower enclosures; install 6 inches above tub top edge.



- CAUTIONS**
- Because the steam head and direct steam emissions are very hot, locate the steam head where incidental contact by bather with the steamhead or direct steam emission cannot occur.
  - Linear Steam Head model 104216 is suitable for MrSteam generator models MS90 – MS400, MSSUPER1– MSSUPER3 and CT6-CT15.
  - Using model 104216 for any steam generator model larger than the MS Super 3, or for any non MrSteam brand generators may result in an improper installation or hazardous condition.
  - For residential and Day Spa use only.
  - Install in a horizontal orientation only. Installation in a vertical orientation may concentrate the steam and result in excessive temperatures.



Generator Model	Steam Emission Zone
MS90 – MS400, CT6, CT9	18"
SUPER 1 – SUPER3; CT12, CT15	24"

**FOR ILLUSTRATIVE PURPOSES ONLY. IMPORTANT NOTE: FOR SAFE AND TROUBLE FREE INSTALLATION** visit [mrsteam.com](http://mrsteam.com) or scan the QR code before installation to download the Installation, Operation and Maintenance Manual or refer to the manual provided with the unit.



MODEL	PROJECT INFORMATION	
104216 For MS90 - MSSuper 3 and CT6-CT15	Location:	Contractor:
	Architect:	Submitted By:
	Engineer:	Date:

Notes: **Optional In This Package**