

### iButler Package™

#### **iBUTLER PACKAGE**

For models MS 90E to MS SUPER 3E

#### **BOX CONTENT**

- iSteam® 2.0 Touch Control
- iSteam® Steamhead
- iGenie® Remote Control
- AutoFlush®
- Drip Pan



#### **iBUTLER 2 PACKAGE**

For models MS SUPER 4E to MS SUPER 6E

#### **BOX CONTENT**

Same as iButler Package with an additional iSteam Steamhead, AutoFlush and Drip Pan.



**NOTE:** When ordered with the linear steamhead, standard steam head(s) are replaced with 104216 linear steamhead(s).

**FOR ILLUSTRATIVE PURPOSES ONLY. IMPORTANT NOTE: FOR SAFE AND TROUBLE FREE INSTALLATION** visit [mrsteam.com](http://mrsteam.com) or scan the QR code before installation to download the Installation, Operation and Maintenance Manual or refer to the manual provided with the unit.



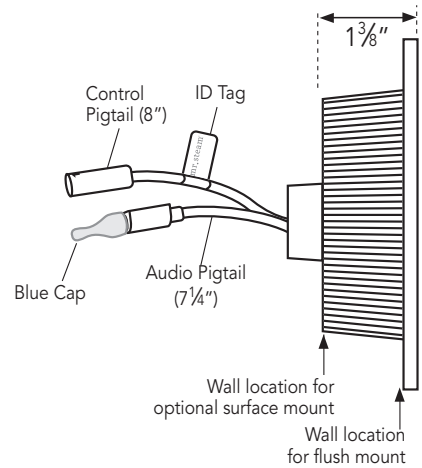
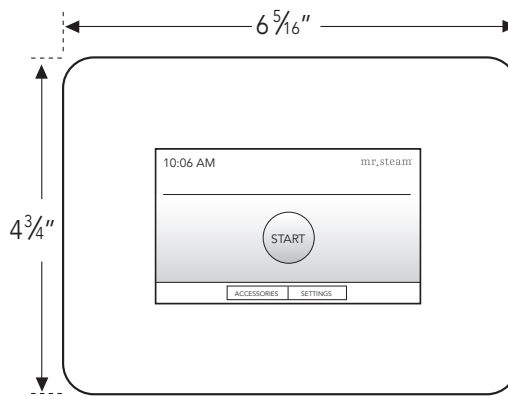
| MODEL   | FINISH                         | PROJECT INFORMATION |               |
|---|--------------------------------|---------------------|---------------|
| <input type="checkbox"/> iButler                      | <input type="checkbox"/> Black | Location:           | Contractor:   |
| <input type="checkbox"/> iButler2                     | <input type="checkbox"/> White | Architect:          | Submitted By: |
| OPTIONS:<br><input type="checkbox"/> Linear Steamhead |                                | Engineer:           | Date:         |
| Notes:  |                                |                     |               |

### iSteam® 2.0 Control

#### Box Contents:

- iSteam® 2.0 Control
- Owner's Manual
- Control Cable (30 ft.)
- Rough-In Box
- Steamhead
- Optional Surface
- Tube of Silicone Sealant Mount Gasket

#### Dimensional Information



iSteam controls flush mount in the steam/shower enclosure through a 5-1/4" wide x 3-9/16" high hole. iSteam controls can also be surface mounted. They are suitable for use with an available iGenie® control. Available in black or white.

iSteam controls are suitable for use inside or outside the steam/shower enclosure, featuring:

- Full color LCD touch screen
- Programmable temperature
- Programmable time
- Two user presets
- AromaSteam, ChromaSteam® and AudioWizard™ controls
- Passcode to prevent unintentional use of steam bath
- Includes AromaSteam steam head in white or black
- Compatible with iGenie®
- Low voltage operation

The iSteam controls are designed to be installed inside or outside the steam room but is primarily installed inside the steam room. If the control is installed inside the steam room the control must be located:

- 4-5 feet above the floor
- In a location representative of the desired steam bathing temperatures near the bather seating area. Do not locate the control above or near the steam head or direct steam emissions.
- On a vertical wall

The control cable length is 30 feet. Insure that the control and/ or steam generator are located accordingly. An optional 60 ft. cable is available if required, PN 104117-60. If the control is installed outside the steam room a Remote Temperature Probe Part Number iMSTS must be installed inside the steam room.

#### FOR ILLUSTRATIVE PURPOSES ONLY. IMPORTANT NOTE: FOR SAFE AND TROUBLE FREE INSTALLATION

visit [mrsteam.com](http://mrsteam.com) or scan the QR code before installation to download the Installation, Operation and Maintenance Manual or refer to the manual provided with the unit.

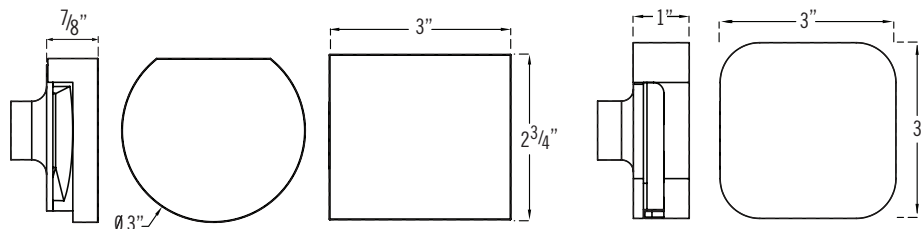


| MODEL     | FINISH                         | PROJECT INFORMATION |               |
|-----------|--------------------------------|---------------------|---------------|
| ISTEAM2.0 | <input type="checkbox"/> Black | Location:           | Contractor:   |
|           | <input type="checkbox"/> White | Architect:          | Submitted By: |
|           |                                | Engineer:           | Date:         |
| Notes:    |                                |                     |               |

### AromaSteam Steamhead

Round 103937, Square 104040, 104104-iSteam, 104104-AirTempo

- Even distribution of steam while remaining cool to the touch
- No field assembly required
- No moving parts
- Integrated aromatherapy oil well for in shower use



### Installing the Round & Square Steamhead

STEAMHEAD INSTALLATION (1/2" NPT)

**IMPORTANT:** Do not disassemble steamhead. Mr.Steam's steam head is shipped fully assembled and requires no additional assembly.

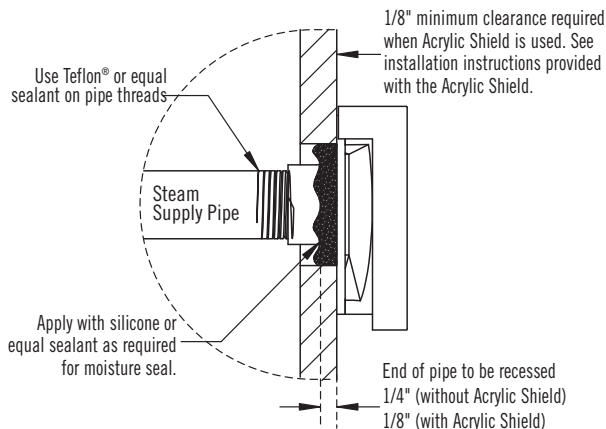
**CAUTION** Because the steamhead and direct steam emissions are very hot, locate the steamhead where incidental contact by bather with the steamhead or direct steam emission cannot occur.

**NOTE:** A 1.5" clearance hole around the steam pipe is needed to mount the steamhead.

Locate steamhead 6-12 inches above floor, except for:

- Tub/shower enclosures, install 6 inches above tub top edge.
- For enclosures with acrylic or other non-heat resistant flooring install Acrylic Shield Part Number 103938/10398SQ

**IMPORTANT NOTE:** To preserve steam head finish, do not use wrench or other tools to tighten. DO NOT use abrasive cleansers or chemicals. Use only water with mild soap and a non-abrasive sponge.



**CAUTION** Consult with supplier of acrylic, fiberglass and other non-heat resistant enclosures for recommended steamhead location. Use Acrylic Shield PN 103938/103938SQ. See instructions provided with steam shield. (An acrylic shield is not available for the iSteam steamhead.)

**FOR ILLUSTRATIVE PURPOSES ONLY. IMPORTANT NOTE: FOR SAFE AND TROUBLE FREE INSTALLATION**

visit [mrsteam.com](http://mrsteam.com) or scan the QR code before installation to download the Installation, Operation and Maintenance Manual or refer to the manual provided with the unit.



| MODEL                                      | FINISH   | PROJECT INFORMATION |
|--|--|---------------------|
| <input type="checkbox"/> 103937-Round      | <input type="checkbox"/> BB Brushed Bronze     | Location:           |
| <input type="checkbox"/> 104040-Square     | <input type="checkbox"/> BN Brushed Nickel     | Architect:          |
| <input type="checkbox"/> 104104-iSteam*    | <input type="checkbox"/> ORB Oil Rubbed Bronze | Engineer:           |
| <input type="checkbox"/> 104104-AirTempo** | <input type="checkbox"/> PB Polished Brass     | Contractor:         |
|  | <input type="checkbox"/> PC Polished Chrome    | Submitted By:       |
|  | <input type="checkbox"/> PN Polished Nickel    | Date:               |
|  | <input type="checkbox"/> RAW Custom Plating    | Notes:              |
|  | <input type="checkbox"/> BLK Black***          |                     |
|  | <input type="checkbox"/> WH White***           |                     |

\*iSteam steamhead is only available in black and white

\*\*\*Black and white finish are only available with iSteam steamhead

\*\* For AirTempo select black or white with a decorative finish

### iGenie®

#### iGENIE INTERFACE MODULE INSTALLATION

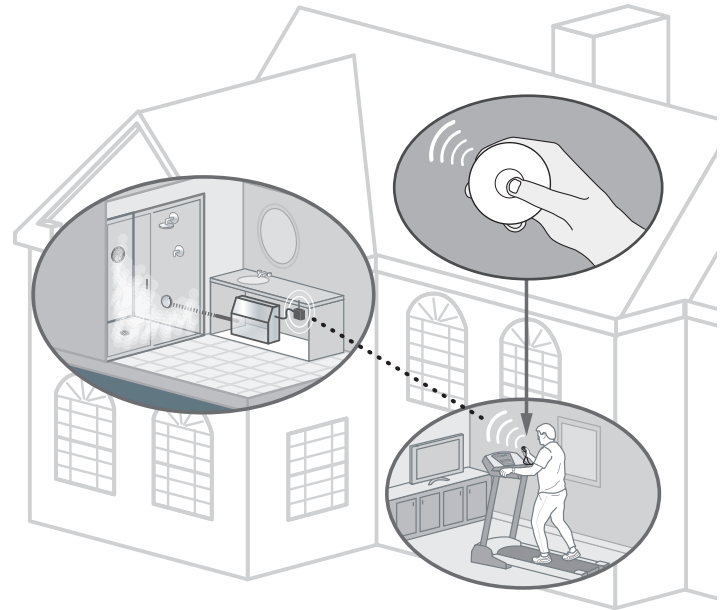
- Connect the iGenie Interface Module to the generator by plugging in the provided 5 foot cable to the iGenie Interface Module and the Steam Genie connector on the side of the generator as shown.
- Mount the iGenie Interface Module in a dry, indoor location. For maximum range, the Steam Genie Interface Module should be mounted as high as practical and away from metal that could effect the radio signal. Securing it to a nearby wood stud is ideal. The antenna should be pointing upwards.

#### iGENIE OPERATION

- When the Steam Genie FOB light is off, press the button once and the Steam Genie FOB light indicates if the steam is on or off. When you press the button, the light will momentarily twinkle between red and green. A red light indicates that the steam is off and a green light indicates that the steam is on.
- To turn the steam on or off, press the ON/OFF button again while the light is illuminated. After a short delay the light will change from red to green (steam on) or green to red (steam off).

#### BOX CONTENT

- iGenie®
- iGenie Wall Mount
- Interface Module
- 2 Module mounting Screws
- 5 ft. Module Connection Cable
- Installation and Operation Instructions
- A wall mounted magnet is provided with the iGenie control as an optional convenience.



#### FOR ILLUSTRATIVE PURPOSES ONLY. IMPORTANT NOTE: FOR SAFE AND TROUBLE FREE INSTALLATION

visit [mrsteam.com](http://mrsteam.com) or scan the QR code before installation to download the Installation, Operation and Maintenance Manual or refer to the manual provided with the unit.



| MODEL  | FINISH                         | PROJECT INFORMATION |               |
|--------|--------------------------------|---------------------|---------------|
| iGenie | <input type="checkbox"/> Black | Location:           | Contractor:   |
|        | <input type="checkbox"/> White | Architect:          | Submitted By: |
|        |                                | Engineer:           | Date:         |
| Notes: |                                |                     |               |

### AutoFlush®

#### AutoFlush Shown Fully Assembled

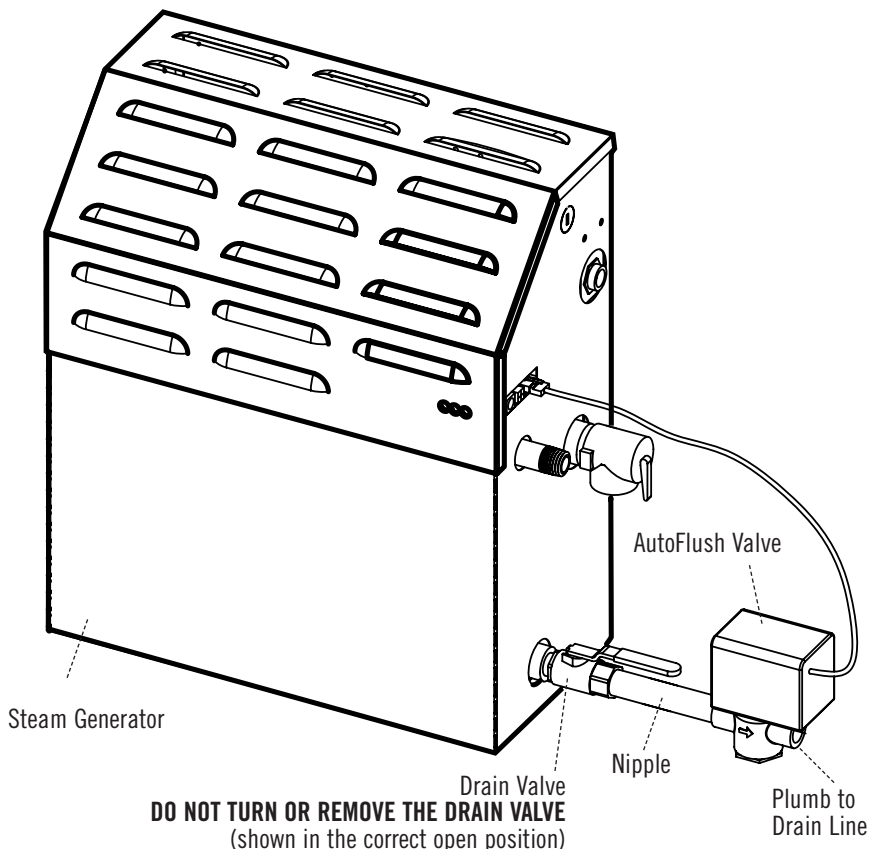
#### Box Contents

- AutoFlush Valve with Cord
- Installation instructions

#### Operation

The optional AutoFlush System feature automatically drains the Mr.Steam® system following each use. A time delay allows the water to cool down (about two hours) before it drains by gravity for a safe and gentle operation.

**Note:** If the Express Steam® option has been installed, the AutoFlush will drain for ten minutes then refill with fresh water to begin the pre-heat cycle.



Our exclusive AutoFlush® automatically and electronically drains the system, providing CleanSteam... Every Time® and introduces fresh water.

**FOR ILLUSTRATIVE PURPOSES ONLY. IMPORTANT NOTE: FOR SAFE AND TROUBLE FREE INSTALLATION** visit [mrsteam.com](http://mrsteam.com) or scan the QR code before installation to download the Installation, Operation and Maintenance Manual or refer to the manual provided with the unit.



| MODEL     | PROJECT INFORMATION |               |
|-----------|---------------------|---------------|
| MS 81500E | Location:           | Contractor:   |
|           | Architect:          | Submitted By: |
|           | Engineer:           | Date:         |
| Notes:    |                     |               |

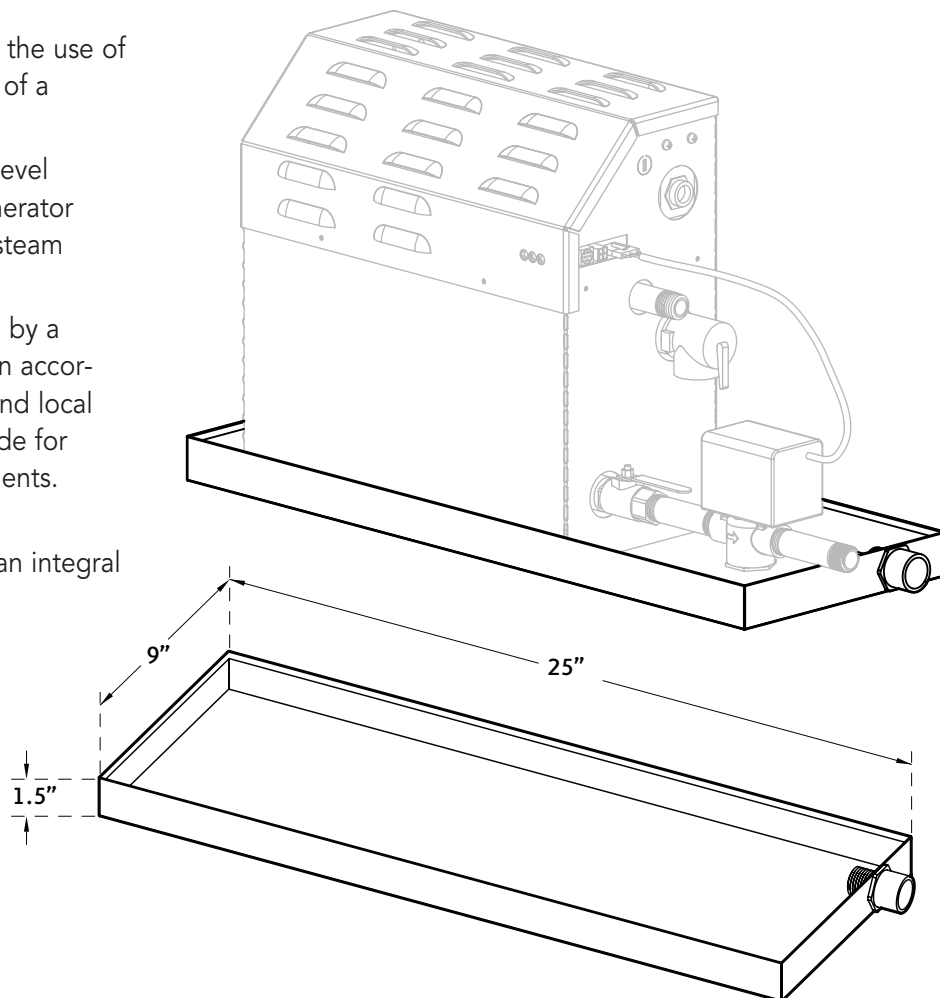
### Drip Pan MS 103867

Mr. Steam strongly recommends the use of a drain pan in the unlikely event of a plumbing leak.

Locate the drain pan on a solid level surface and place the steam generator inside the drain pan. Insure the steam generator is level.

All plumbing shall be performed by a qualified licensed plumber and in accordance with applicable national and local codes. Check local plumbing code for receptor, trap and vent requirements. Drain pans drain by gravity.

The drain pan is equipped with an integral 3/4" NPT fitting.



**FOR ILLUSTRATIVE PURPOSES ONLY. IMPORTANT NOTE: FOR SAFE AND TROUBLE FREE INSTALLATION** visit [mrsteam.com](http://mrsteam.com) or scan the QR code before installation to download the Installation, Operation and Maintenance Manual or refer to the manual provided with the unit.



| MODEL     | PROJECT INFORMATION |               |
|-----------|---------------------|---------------|
| MS 103867 | Location:           | Contractor:   |
|           | Architect:          | Submitted By: |
|           | Engineer:           | Date:         |
| Notes:    |                     |               |

# Linear Steam Head

104216

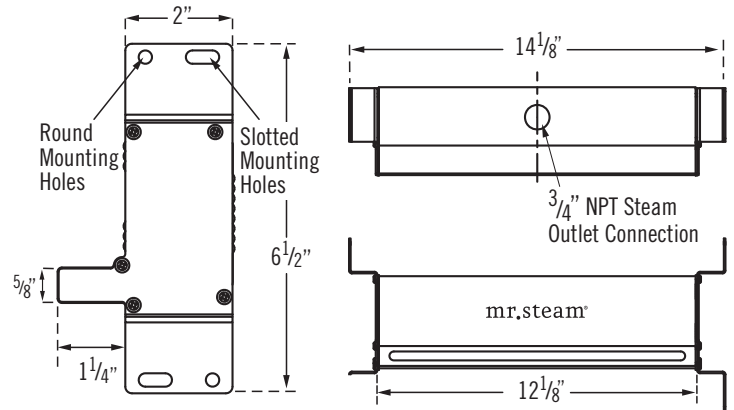
- Quiet, even distribution of steam
- No moving parts
- No field assembly required
- Minimal profile

## Installing the Linear Steamhead

STEAMHEAD INSTALLATION (3/4" NPT)

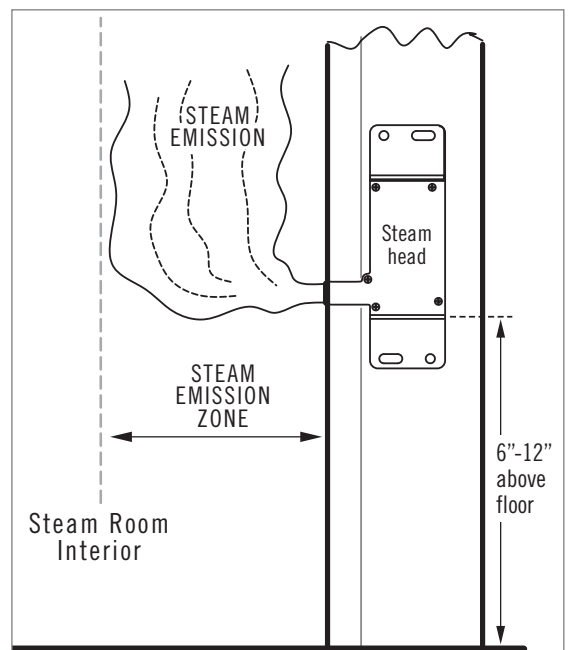
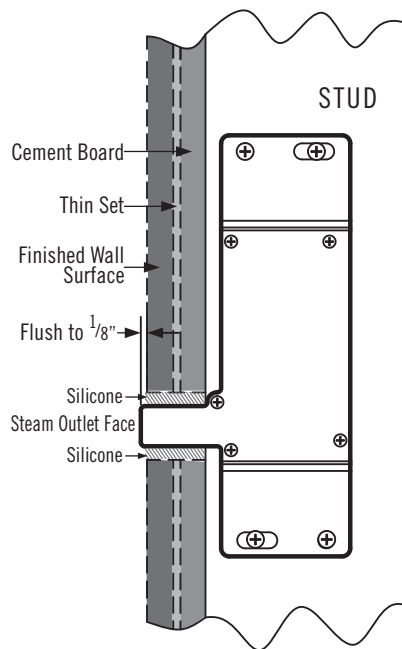
**IMPORTANT:** Do not disassemble steam head. Mr.Steam's steam head is shipped fully assembled and requires no additional assembly.

Locate steamhead 6-12 inches above floor, except for tub/shower enclosures; install 6 inches above tub top edge.



### CAUTIONS

- Because the steam head and direct steam emissions are very hot, locate the steam head where incidental contact by bather with the steamhead or direct steam emission cannot occur.
- Linear Steam Head model 104216 is suitable for MrSteam generator models MS90 – MS400, MSSUPER1– MSSUPER3 and CT6-CT15.
- Using model 104216 for any steam generator model larger than the MS Super 3, or for any non MrSteam brand generators may result in an improper installation or hazardous condition.
- For residential and Day Spa use only.
- Install in a horizontal orientation only. Installation in a vertical orientation may concentrate the steam and result in excessive temperatures.



| Generator Model              | Steam Emission Zone |
|------------------------------|---------------------|
| MS90 – MS400, CT6, CT9       | 18"                 |
| SUPER 1 – SUPER3; CT12, CT15 | 24"                 |

**FOR ILLUSTRATIVE PURPOSES ONLY. IMPORTANT NOTE: FOR SAFE AND TROUBLE FREE INSTALLATION** visit [mrsteam.com](http://mrsteam.com) or scan the QR code before installation to download the Installation, Operation and Maintenance Manual or refer to the manual provided with the unit.



| MODEL  | PROJECT INFORMATION |               |
|--|---------------------|---------------|
| 104216<br>For MS90 - MSSuper 3<br>and CT6-CT15 | Location:           | Contractor:   |
|  | Architect:          | Submitted By: |
|  | Engineer:           | Date:         |

Notes: **Optional In This Package**