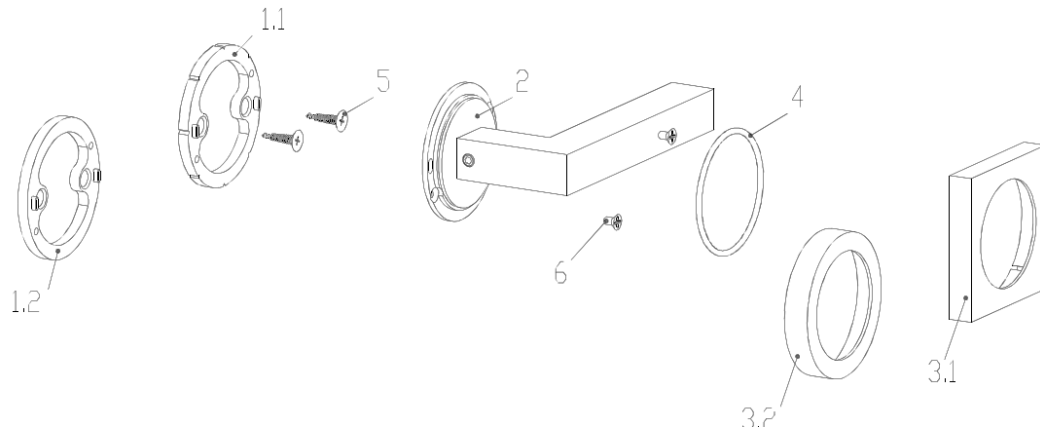


# Assembly Instructions for KARCHER DESIGN UER Lever Handles (DUM)



## Content

1.1 Mounting plate (square version  
with slots in the thread)

2. Centerplate with attached lever handle

3.2 Trim ring (round version)

5. Wood screws

1.2 Mounting plate (round version)

3.1 Trim ring (square version)

4. Rubber ring

6. Machine screws

## 1. Installation instructions

- 1) Fix the mounting plate (1.1 or 1.2) on the door with the wood screws (5)
- 2) Plate the center plate (2) with the attached lever handle on the mounting plate (1.1 or 1.2) so that the lugs of the mounting plate fit to the corresponding slots of the center plate.
- 3) Square version: Secure the center plate using the supplied machine screws (6) and ensure that the rubber ring (4) is seated on the center plate.  
Turn the trim ring (3.1) until it starts to become tight on the mounting plate (1.1). The springs in the trim ring will make a clicking sound and help with the positioning of the trim ring.  
Tighten the ring but do not overtighten as this may scratch the door.
- 3.1) Round version: Screw the trim ring (3.1) onto the threads of the mounting plate (1.2) until it is tight.

**KARCHER**  
**— DESIGN**

KARCHER DESIGN NA  
235 W. Paul Ave  
Clovis, CA 93612-0250  
United States of America

## Limited Warranty – USA & Canada Only

Karcher Design warrants to the original purchaser and first consumer owner that its products shall be free from defects in material or workmanship for 2 years after purchase.

Subject to the conditions stated below, Karcher Design shall repair or replace (at our sole discretion) any defective product at no further charge.

This warranty is valid only for the original purchaser and first consumer owner and is not transferable.

This warranty *only* applies to products purchased directly from an authorized dealer of Karcher Design products. Our [website](#) contains a list of authorized dealers. You may be asked for proof of purchase, so please retain your receipt.

To obtain warranty service, please contact an authorized reseller dealer directly. Do not contact Karcher Design directly with warranty questions.

This warranty does not apply to ordinary wear and tear or to damage caused by conditions beyond Karcher Design's control, including but not limited to accidents, lack of reasonable care, weather conditions, improper installation or maintenance, alteration, or abuse. **In particular, this warranty does not apply to products that are not intended to be used outdoors (including products made out of wood, leather, carbon, glass, laminate, and satin nickel) that are in fact used outdoors.**

**THE REMEDIES DESCRIBED ABOVE ARE YOUR SOLE AND EXCLUSIVE REMEDIES, AND CONSTITUTE KARCHER DESIGN'S ENTIRE LIABILITY FOR ANY BREACH OF THIS LIMITED WARRANTY. KARCHER DESIGN EXCLUDES AND EXPRESSLY DISCLAIMS LIABILITY FOR ANY CONSEQUENTIAL, INDIRECT, INCIDENTAL OR SPECIAL DAMAGES OF ANY NATURE ARISING OUT OF THE SALE, INSTALLATION, MAINTENANCE, USE OR FAILURE OF ANY KARCHER DESIGN PRODUCT, INCLUDING BUT NOT LIMITED TO LOSS OF PROFITS, PROPERTY DAMAGE, DAMAGES TO BUSINESS OR BUSINESS RELATIONS OR DAMAGES FOR LOSS OF OPERATION. IN ALL EVENTS KARCHER DESIGN'S LIABILITY WILL BE CAPPED AT THE PURCHASE PRICE PAID FOR THE PRODUCT.**

Some states do not allow limitations on how long an implied warranty lasts, so the above limitation may not apply to you. Some states do not allow the exclusion or limitation of incidental or consequential damages, so the above limitation or exclusion may not apply to you. This warranty gives you specific legal rights, and you may also have other rights which vary from state to state.

No representative or employee of Karcher Design is authorized to make any modification or addition to this warranty.

**Karcher Design NA, LLC**  
235 W. Paul Ave  
Clovis, CA 93612-0250  
Office: 425-440-0708

**KARCHER  
—DESIGN**

KARCHER DESIGN NA  
235 W. Paul Ave  
Clovis, CA 93612-0250  
United States of America