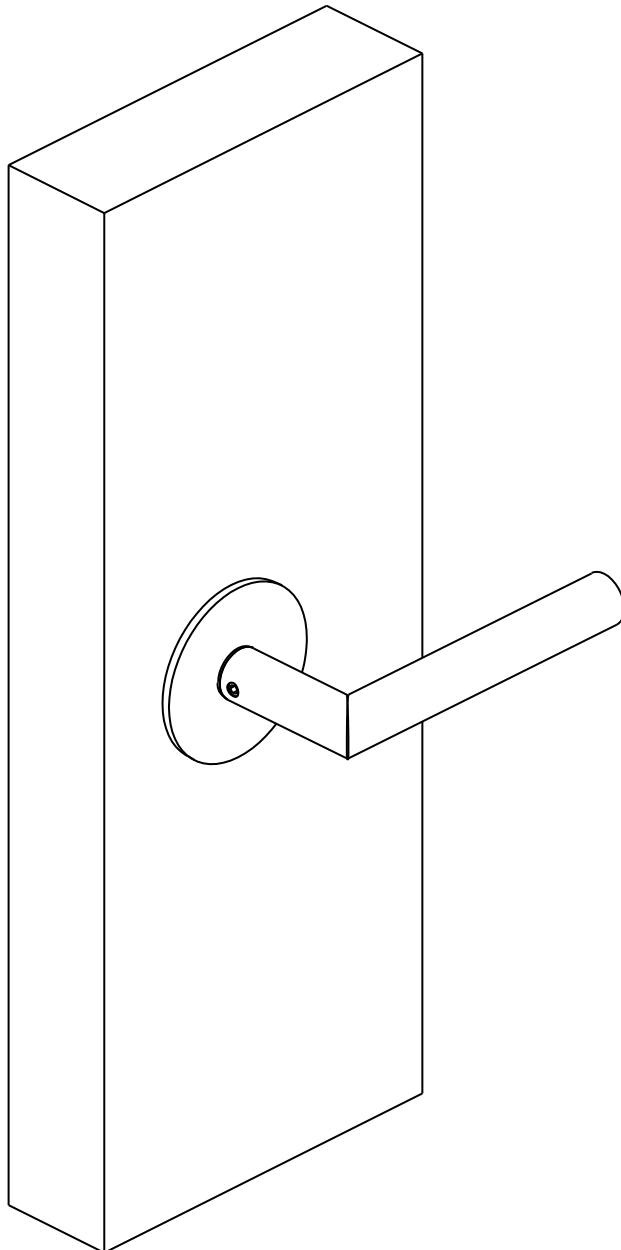


UEPL Style Lever Handles (DUM)

Assembly Instructions

KARCHER
—DESIGN

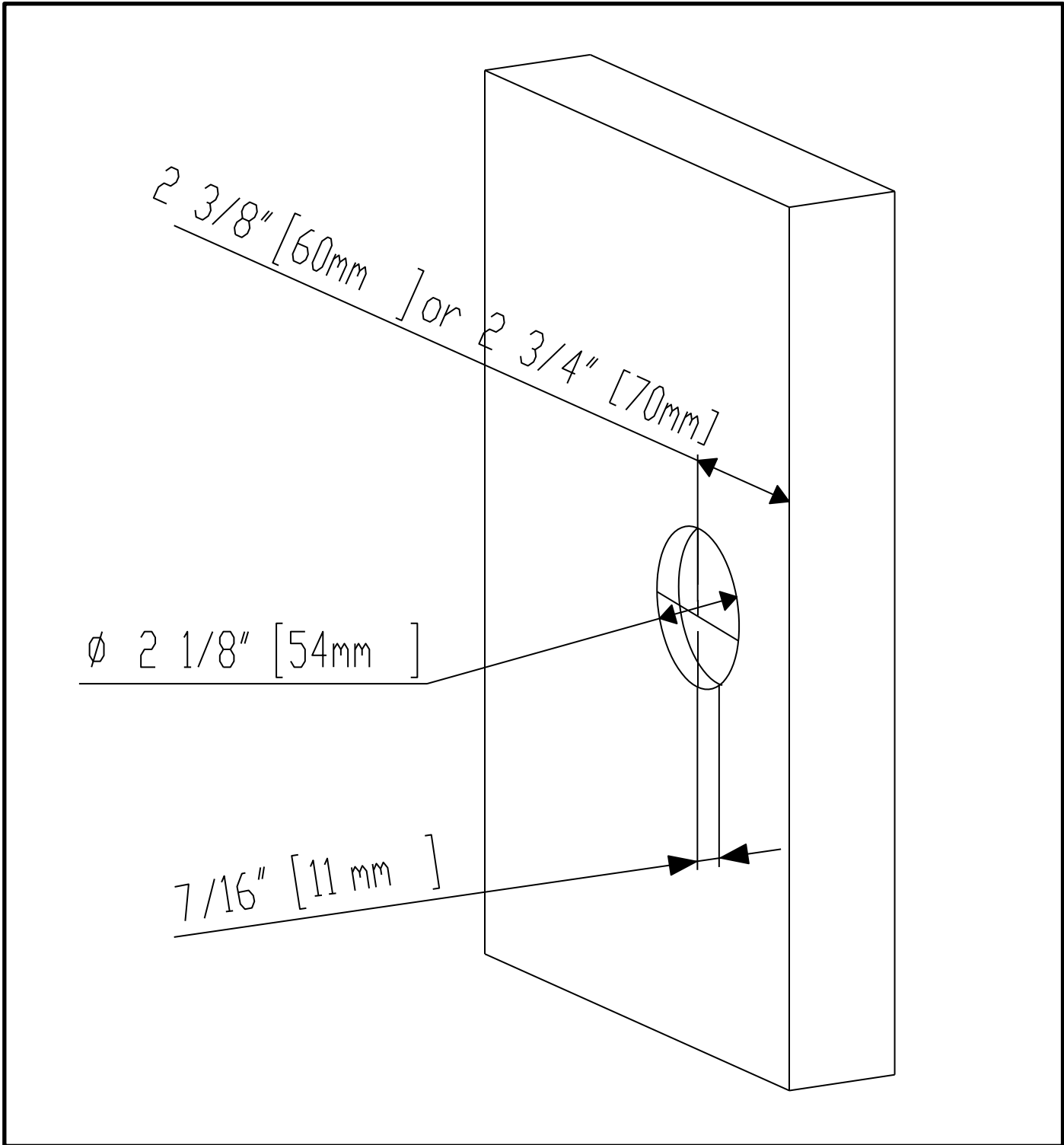
KARCHER DESIGN NA
235 W. Paul Ave
Clovis, CA 93612-0250
United States of America



Door Preparation

KARCHER
DESIGN

KARCHER DESIGN NA
235 W. Paul Ave
Clovis, CA 93612-0250
United States of America



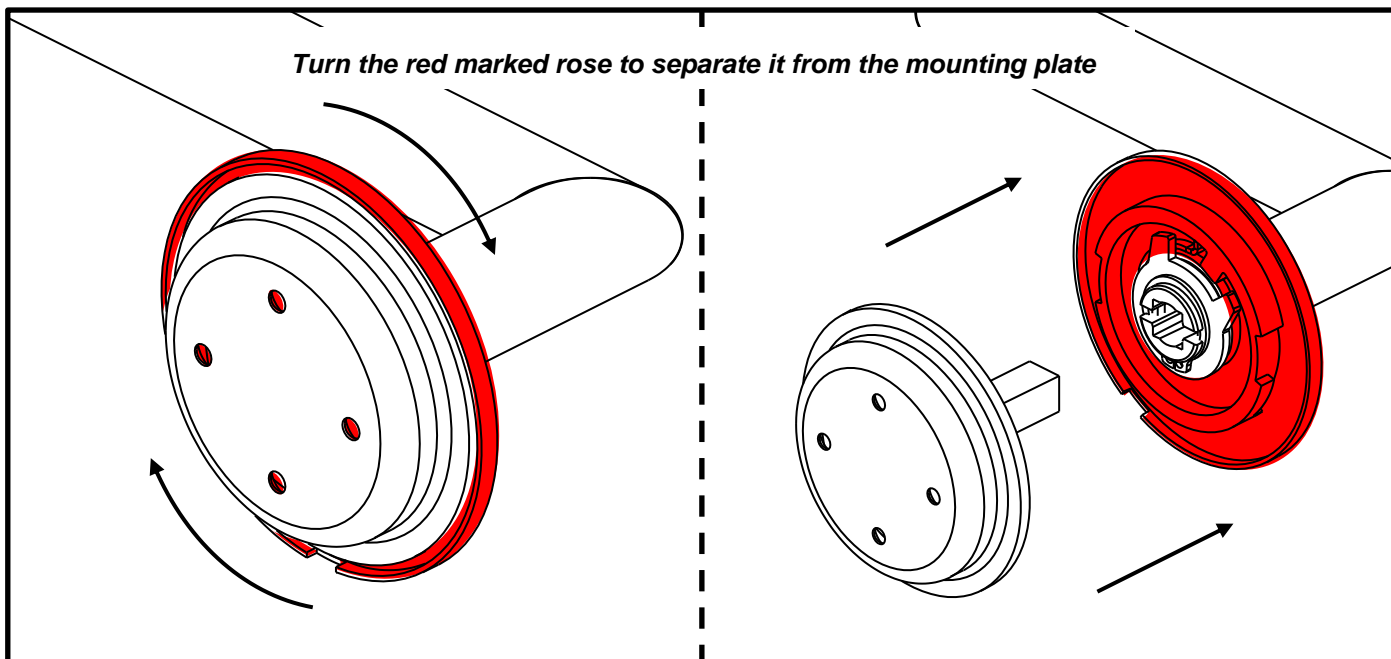
Karcher Design products are designed and measured in metric. The imperial measurements are close approximations to the actual metric dimensions

Assembly Instructions

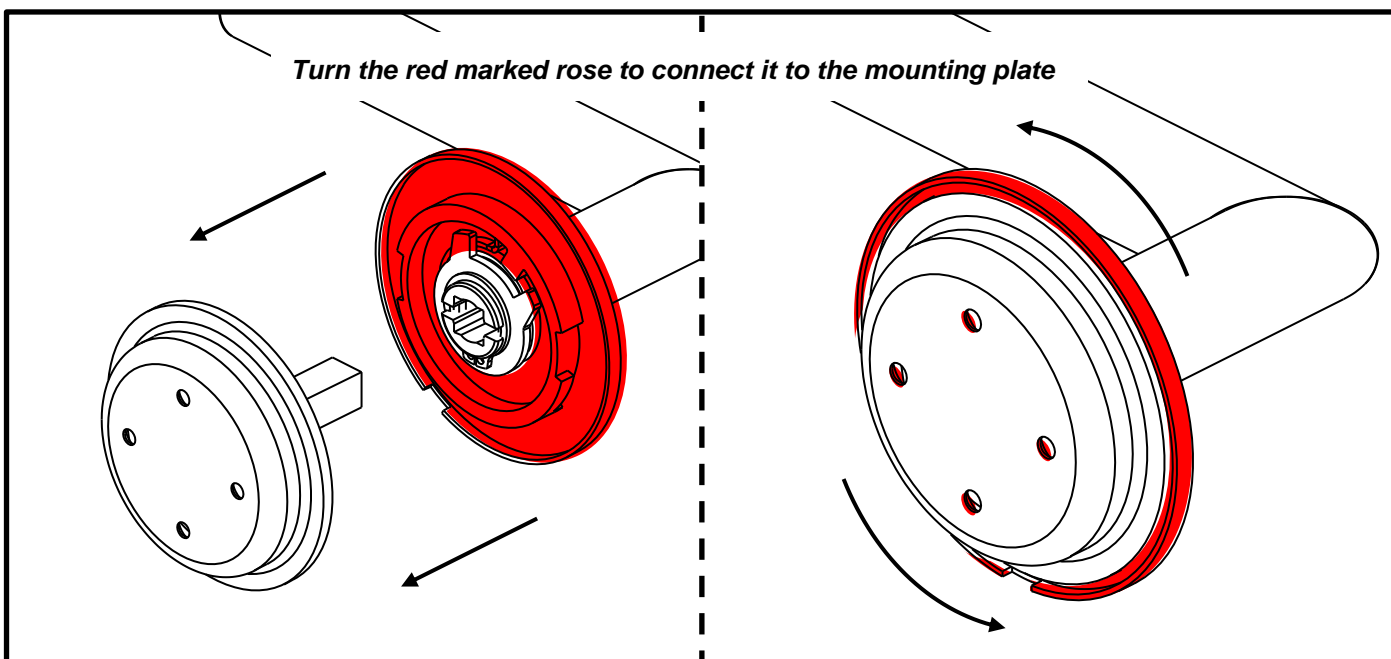
KARCHER
— DESIGN

KARCHER DESIGN NA
235 W. Paul Ave
Clovis, CA 93612-0250
United States of America

Separation of the mounting plate from the rose



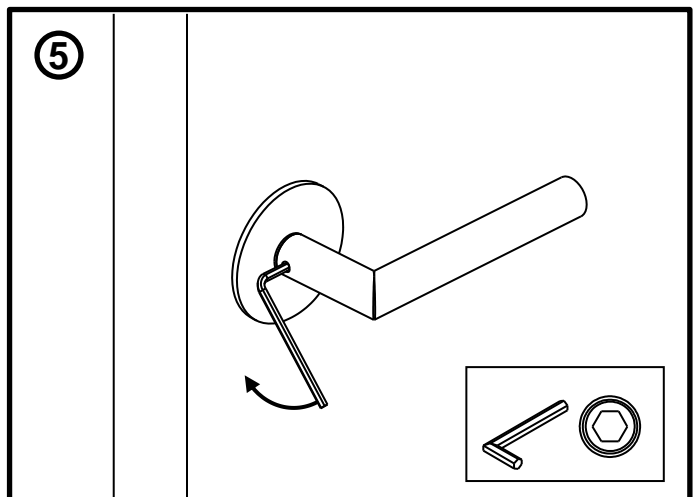
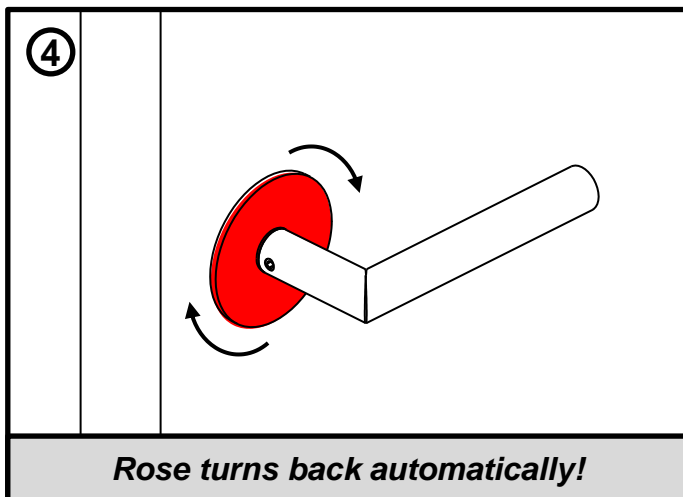
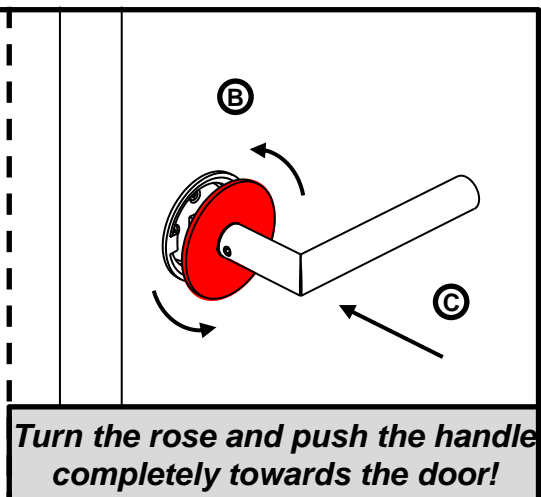
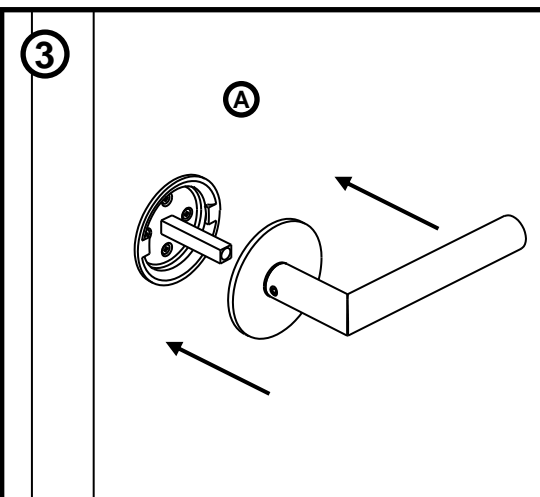
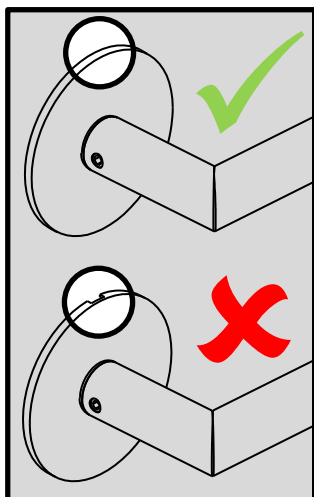
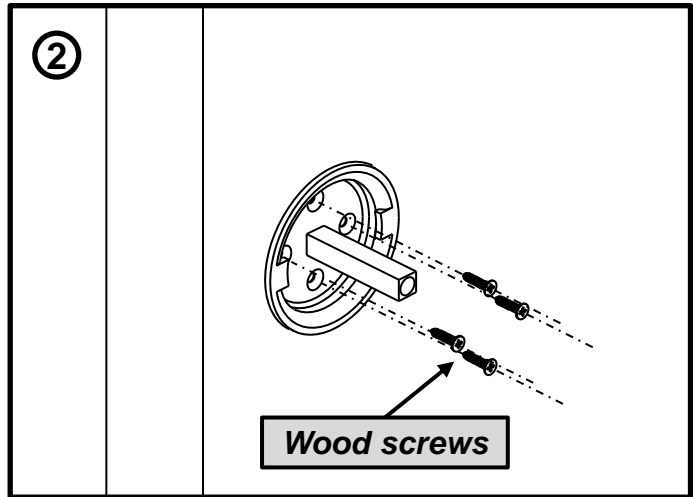
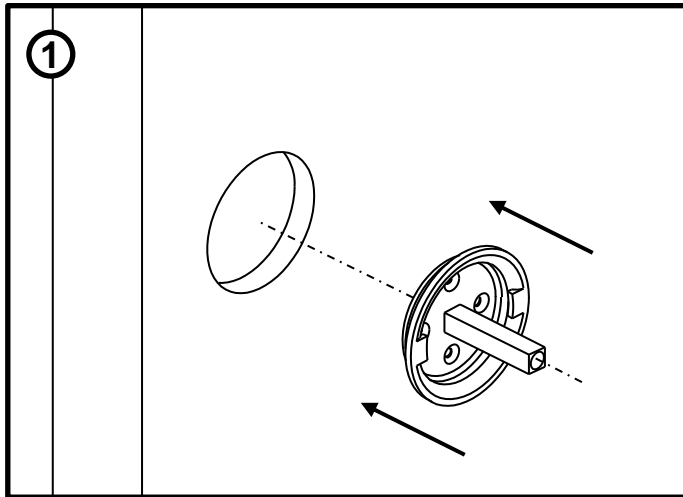
Connection of the mounting plate to the rose



Assembly Instructions

KARCHER
—DESIGN

KARCHER DESIGN NA
235 W. Paul Ave
Clovis, CA 93612-0250
United States of America



Limited Warranty – USA & Canada Only

**KARCHER
— DESIGN**

KARCHER DESIGN NA
235 W. Paul Ave
Clovis, CA 93612-0250
United States of America

Karcher Design warrants to the original purchaser and first consumer owner that its products shall be free from defects in material or workmanship for 2 years after purchase.

Subject to the conditions stated below, Karcher Design shall repair or replace (at our sole discretion) any defective product at no further charge.

This warranty is valid only for the original purchaser and first consumer owner and is not transferable.

This warranty *only* applies to products purchased directly from an authorized dealer of Karcher Design products. Our [website](#) contains a list of authorized dealers. You may be asked for proof of purchase, so please retain your receipt.

To obtain warranty service, please contact an authorized reseller dealer directly. Do not contact Karcher Design directly with warranty questions.

This warranty does not apply to ordinary wear and tear or to damage caused by conditions beyond Karcher Design's control, including but not limited to accidents, lack of reasonable care, weather conditions, improper installation or maintenance, alteration, or abuse. **In particular, this warranty does not apply to products that are not intended to be used outdoors (including products made out of wood, leather, carbon, glass, laminate, and satin nickel) that are in fact used outdoors.**

THE REMEDIES DESCRIBED ABOVE ARE YOUR SOLE AND EXCLUSIVE REMEDIES, AND CONSTITUTE KARCHER DESIGN'S ENTIRE LIABILITY FOR ANY BREACH OF THIS LIMITED WARRANTY. KARCHER DESIGN EXCLUDES AND EXPRESSLY DISCLAIMS LIABILITY FOR ANY CONSEQUENTIAL, INDIRECT, INCIDENTAL OR SPECIAL DAMAGES OF ANY NATURE ARISING OUT OF THE SALE, INSTALLATION, MAINTENANCE, USE OR FAILURE OF ANY KARCHER DESIGN PRODUCT, INCLUDING BUT NOT LIMITED TO LOSS OF PROFITS, PROPERTY DAMAGE, DAMAGES TO BUSINESS OR BUSINESS RELATIONS OR DAMAGES FOR LOSS OF OPERATION. IN ALL EVENTS KARCHER DESIGN'S LIABILITY WILL BE CAPPED AT THE PURCHASE PRICE PAID FOR THE PRODUCT.

Some states do not allow limitations on how long an implied warranty lasts, so the above limitation may not apply to you. Some states do not allow the exclusion or limitation of incidental or consequential damages, so the above limitation or exclusion may not apply to you. This warranty gives you specific legal rights, and you may also have other rights which vary from state to state.

No representative or employee of Karcher Design is authorized to make any modification or addition to this warranty.

Karcher Design NA, LLC

235 W. Paul Ave
Clovis, CA 93612-0250
Office: 425-440-0708