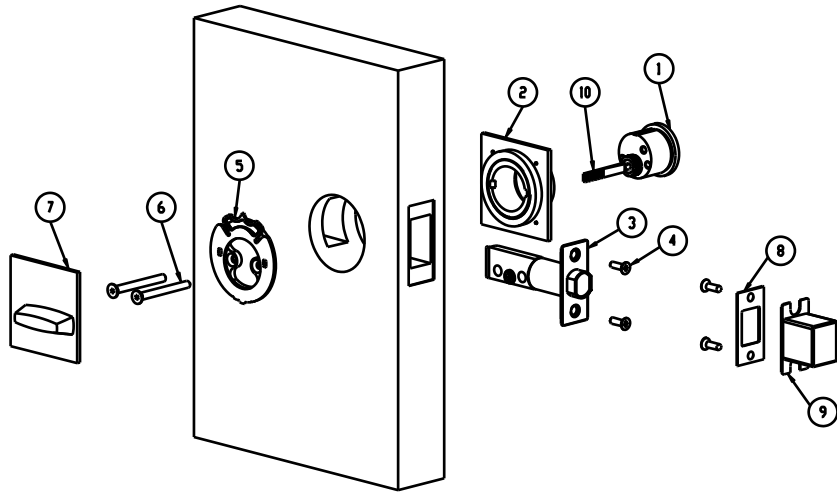


Installation Instructions for KARCHER DESIGN UEDBQ200

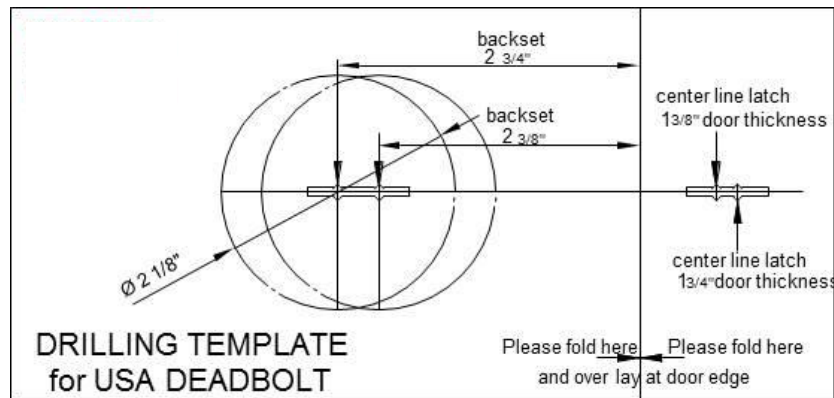
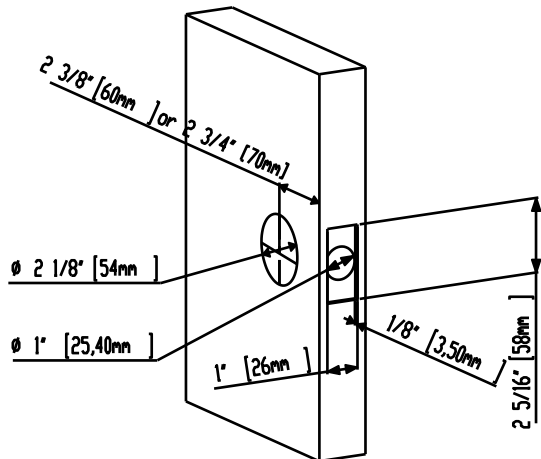


Content

1 cylinder	2 cylinder collar	3 deadbolt latch
4 wood screws	5 sub rose	6 machine screws
7 cover rose with thumb turn	8 face plate	9 dust box
10 tail piece		

1 Preparing the door

Draw a level 3" (76mm) center line on both sides of the door. The standard height for a handle set is 36" (914mm) from the finished floor. Please adjust the deadbolt to your preferred height. Fold the template over the edge of the door, and mark at a backset distance of either 2 3/8" (60mm) or 2 3/4" (70mm) to determine the center-point of the holes. Bore a 2 1/8" (54mm) hole half way through the door on each side to prevent splintering of the door. Drill a 1" (26mm) hole on lock edge of the door where the center is marked. Cut out a 2 5/16" x 1" x 1/8" (58x26x3mm) rectangle to a depth of 1/8" (3.5mm).

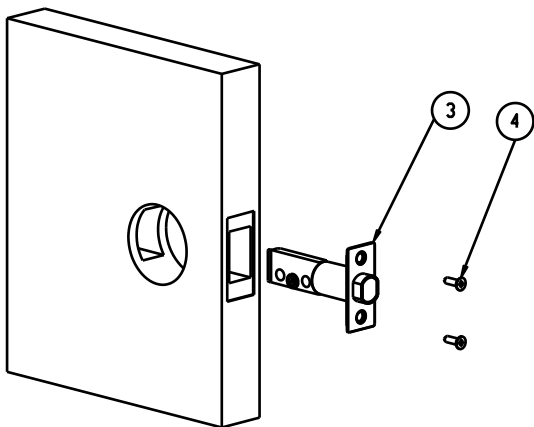


**KARCHER
—DESIGN**

KARCHER DESIGN NA
235 W. Paul Ave
Clovis, CA 93612-0250
United States of America

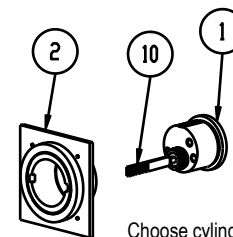
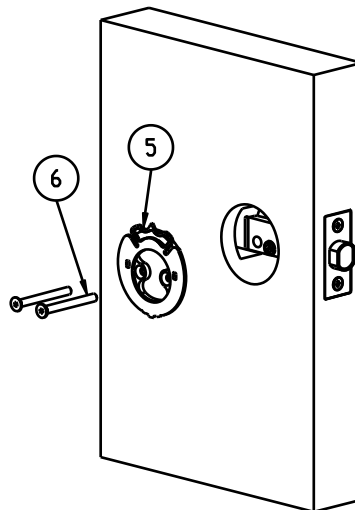
2 Installing the deadbolt latch

The deadbolt latch can be adjusted to 2 3/8" (60mm) and 2 3/4" (70mm). Install latch (3) using wood screws provided (4). Please ensure that the through holes of the latch are at the bottom part of the latch.



3 Fixing the cylinder

Insert the cylinder (1) through the collar (2) into the latch (3). Please ensure that the cylinder tailpiece (10) is inserted vertically. Place the subrose (5) on the door. Attach the two pieces by inserting the machine screws (6) through the holes of the subrose and the holes of the deadbolt latch into the threaded holes of the cylinder.



**KARCHER
DESIGN**

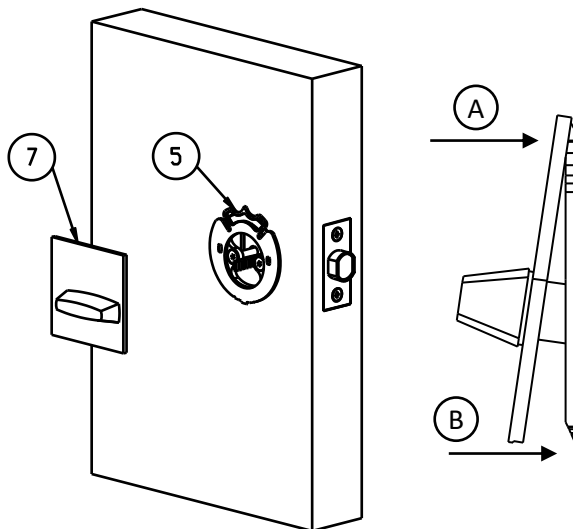
KARCHER DESIGN NA
235 W. Paul Ave
Clovis, CA 93612-0250
United States of America

Choose cylinder screws for different door thickness:

Door thickness	length of machine screws
1 3/8" (35mm)	2" (50mm)
1 3/4" (45mm)	2" (50mm)
2 1/8" (55mm)	2 3/4" (70mm)
2 1/2" (65mm)	3 3/4" (70mm)

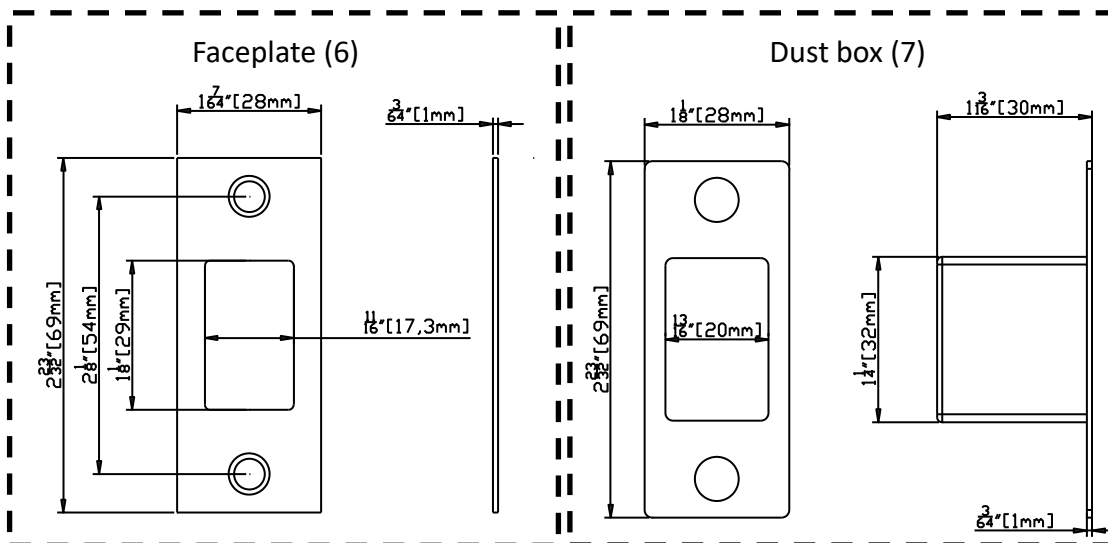
4 Attaching the cover

Place the cover rose with the thumbturn (7) onto the tailpiece of the cylinder and push the rose gently up to the subrose (5). Press the coverrose (7) on the door, first at the top and then at the bottom, so that the parts click into place audibly. Test the function before closing the door.



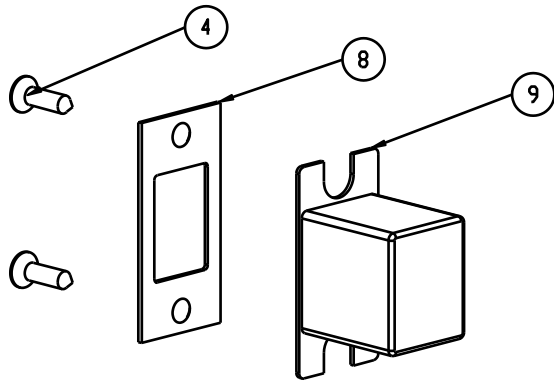
5 Preparing the frame

Mark the position of the latch tongue at the door frame for the location of the strike plate. Prepare the frame according to the measures below.



6 Install Strike plate

Install dust cover (9) and strike plate (8) using supplied wood screws (4).



8 Limited Warranty – USA & Canada Only

Karcher Design warrants to the original purchaser and first consumer owner that its products shall be free from defects in material or workmanship for 2 years after purchase.

Subject to the conditions stated below, Karcher Design shall repair or replace (at our sole discretion) any defective product at no further charge.

This warranty is valid only for the original purchaser and first consumer owner and is not transferable.

This warranty *only* applies to products purchased directly from an authorized dealer of Karcher Design products. Our [website](#) contains a list of authorized dealers. You may be asked for proof of purchase, so please retain your receipt.

To obtain warranty service, please contact an authorized reseller dealer directly. Do not contact Karcher Design directly with warranty questions.

This warranty does not apply to ordinary wear and tear or to damage caused by conditions beyond Karcher Design's control, including but not limited to accidents, lack of reasonable care, weather conditions, improper installation or maintenance, alteration, or abuse. **In particular, this warranty does not apply to products that are not intended to be used outdoors (including products made out of wood, leather, carbon, glass, laminate, and satin nickel) that are in fact used outdoors.**

THE REMEDIES DESCRIBED ABOVE ARE YOUR SOLE AND EXCLUSIVE REMEDIES, AND CONSTITUTE KARCHER DESIGN'S ENTIRE LIABILITY FOR ANY BREACH OF THIS LIMITED WARRANTY. KARCHER DESIGN EXCLUDES AND EXPRESSLY DISCLAIMS LIABILITY FOR ANY CONSEQUENTIAL, INDIRECT, INCIDENTAL OR SPECIAL DAMAGES OF ANY NATURE ARISING OUT OF THE SALE, INSTALLATION, MAINTENANCE, USE OR FAILURE OF ANY KARCHER DESIGN PRODUCT, INCLUDING BUT NOT LIMITED TO LOSS OF PROFITS, PROPERTY DAMAGE, DAMAGES TO BUSINESS OR BUSINESS RELATIONS OR DAMAGES FOR LOSS OF OPERATION. IN ALL EVENTS KARCHER DESIGN'S LIABILITY WILL BE CAPPED AT THE PURCHASE PRICE PAID FOR THE PRODUCT.

Some states do not allow limitations on how long an implied warranty lasts, so the above limitation may not apply to you. Some states do not allow the exclusion or limitation of incidental or consequential damages, so the above limitation or exclusion may not apply to you. This warranty gives you specific legal rights, and you may also have other rights which vary from state to state.

No representative or employee of Karcher Design is authorized to make any modification or addition to this warranty.

Karcher Design NA, LLC
235 W. Paul Ave
Clovis, CA 93612-0250
Office: 425-440-0708

**KARCHER
—DESIGN**

KARCHER DESIGN NA
235 W. Paul Ave
Clovis, CA 93612-0250
United States of America