

Kräus[®]

R0 STAINLESS STEEL SINKS



Pax™ Zero Radius Series
Handmade Stainless Steel Sinks

KRAUS INTRODUCES A NEW SERIES OF ZERO-RADIUS KITCHEN SINKS

Build A Better Kitchen With Restaurant-Style Stainless Steel Sinks

10/2015 • Port Washington, NY

Kraus is introducing a stylish and efficient new way to build a better kitchen. The Pax™ Series features clean, geometric designs, with precise zero-radius corners for a distinctively modern look.

Each sink is handcrafted from an individual sheet of premium T-304 stainless steel, an extra-tough and eco-friendly material highly valued in the restaurant industry for its sturdiness and durability. The neutral color of the machine-finished satin surface matches most stainless steel appliances, making these sinks at home in any kitchen. Unlike matte or mirror-finished stainless steel, the lustrous satin finish develops a beautiful patina over time, creating a refined look with lasting style. All Pax™ Series sinks are constructed with 95° side walls and channel grooves engineered for optimal drainage to ensure that their functionality matches their fashionable appearance. Other design highlights include innovative NoiseDefend™ sound-dampening technology, for a quieter kitchen environment.

To address the growing popularity of open-plan interiors, the Pax™ Series includes roomy primary basins and smaller bar/prep sinks, making it easy to outfit any size of kitchen in seamless style. This range of semi-professional options allows culinary enthusiasts to create a gourmet experience in their own kitchen. For homeowners that love to entertain, the Pax™ Series has sinks to suit any space, from the bar, to the rec room, to the kitchen island. The deep basins are perfect for hosts who see the kitchen as a social space, due to the added capability to keep dirty dishes out of sight while leaving plenty of room for food prep and mingling. Make a bold statement with the Pax™ Zero-Radius Series, and experience Kraus Quality with cutting-edge style.

About Kraus USA: Headquartered in NY, with distribution facilities worldwide, Kraus USA has been operating for over 8 years with one simple mission: To bring the best to our customers, exceeding expectations when it comes to quality, style, and value. With Kraus, you get more for your money than just beautiful and durable kitchen & bath fixtures. You get a reliable, consumer-focused experience, from selection to installation, to care & maintenance, and beyond.

[Learn more about us at www.kraususa.com](http://www.kraususa.com)

© 2015 Kraus USA Inc. All rights reserved.





PAX™ Zero Radius Series

Make a bold statement with the Pax™ Zero Radius Series, featuring an assortment of heavy-duty stainless steel sinks engineered to meet your everyday needs with superior style.

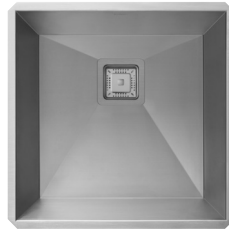
We've expanded our collection of best-selling kitchen sinks to include a contemporary commercial-style series of restaurant-quality basins in a range of sizes. The clean, geometric designs in the Pax™ Zero-Radius Series feature precise zero-radius corners for a distinctively modern look. Pax™ Zero-Radius Series sinks are handcrafted from premium T-304 stainless steel, an extra-tough & eco-friendly material that is highly valued in the restaurant industry for its sturdiness and durability. The machine-finished satin surface has a neutral color

that matches most stainless steel appliances, making this sink at home in any kitchen or entertainment area. The flawless finish provides additional protection against stains and rust, and will not dull or chip from daily use. Gently sloped 95° walls reduce splashing and make cleaning & maintenance easy. Channel grooves along the bottom of the sinks are engineered for optimal drainage. The generous basins easily accommodate even the largest dishes and glassware, making these sinks ideal for a variety of tasks. Square rear-set drains add to the contemporary style, and provide more usable surface area in the sink.

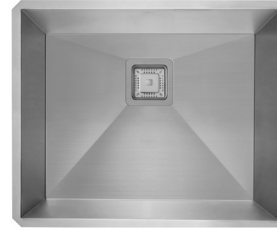
Build a better kitchen with the Pax™ Zero-Radius Series, and experience Kraus Quality with cutting-edge style.



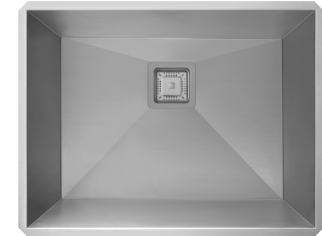
KHU15
14.5" x 18.5" x 10"



KHU19
18.5" x 18.5" x 10"



KHU23
22.5" x 18.5" 10"



KHU24L
24" x 18.5" x 12"



KHU29
28.5" x 18.5" x 10"



KHU32
31.5" x 18.5" x 10"

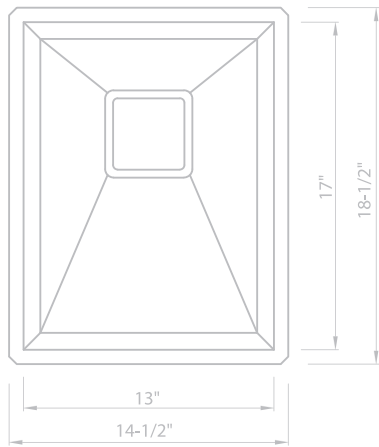


KHU322
31.5" x 18.5" x 10"

Pax™ Zero Radius Series Handmade Stainless Steel Sinks

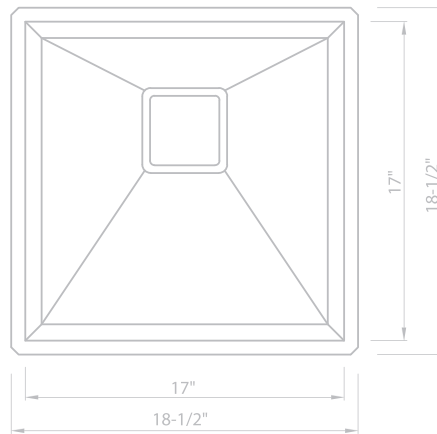
The clean, precise designs in the Pax™ Zero Radius Series feature tight zero-radius corners and rear-set drain openings to maximize basin space, with 95° angled walls to reduce splashing and allow for easy cleaning. The distinctive square drains and engineered channel grooves add to the contemporary look, and allow for better drainage when dishes are piled in the sink.





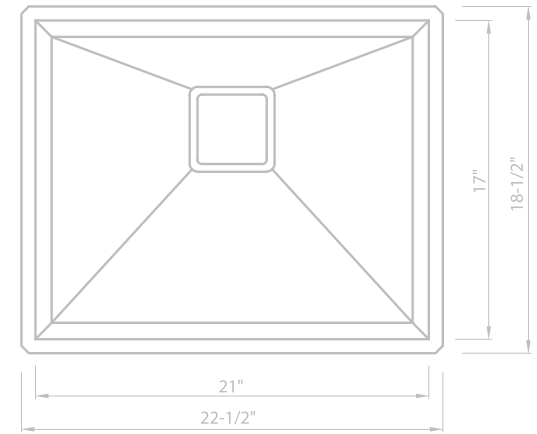
KHU15

14.5" x 18.5" x 10"



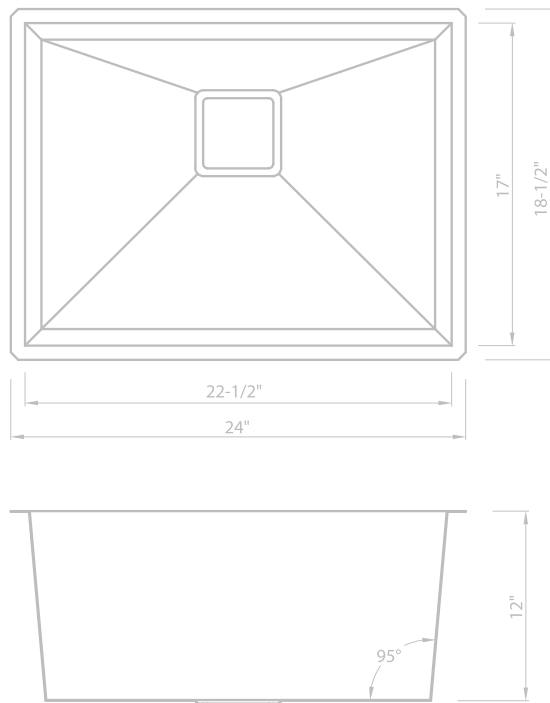
KHU19

18.5" x 18.5" x 10"



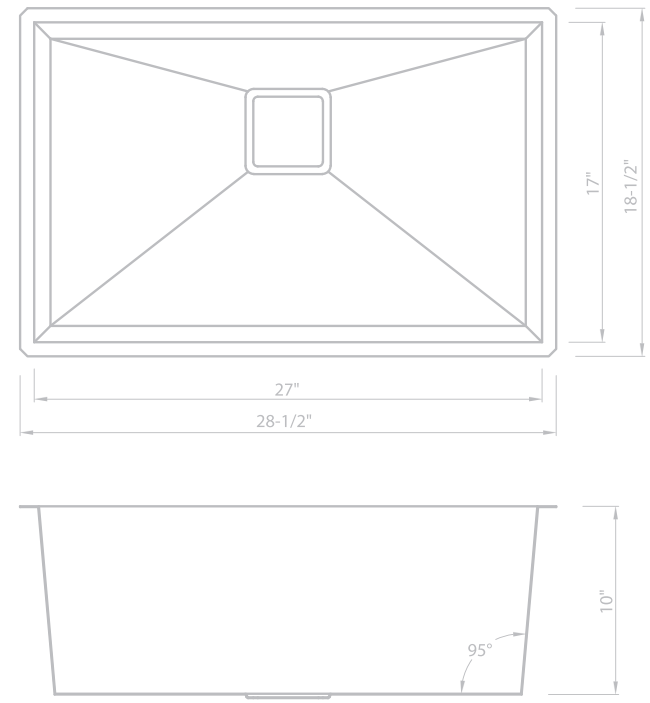
KHU23

22.5" x 18.5" x 10"



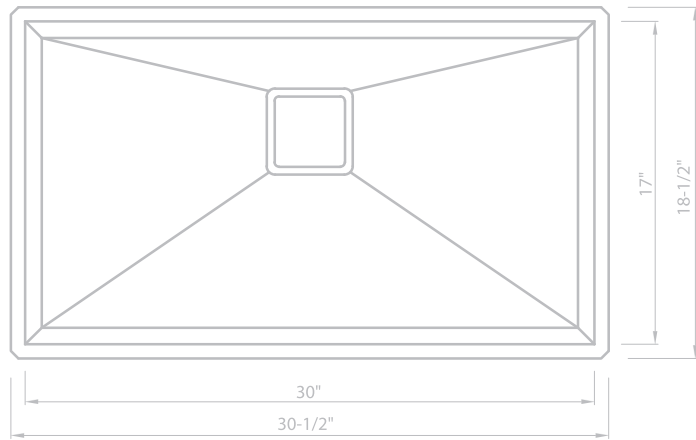
KHU24

24" x 18.5" x 12"



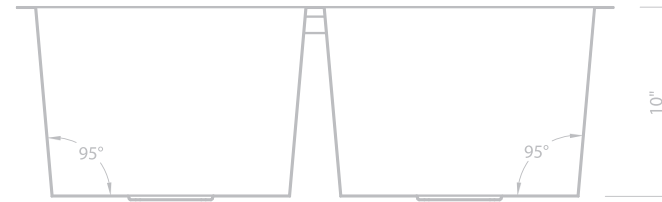
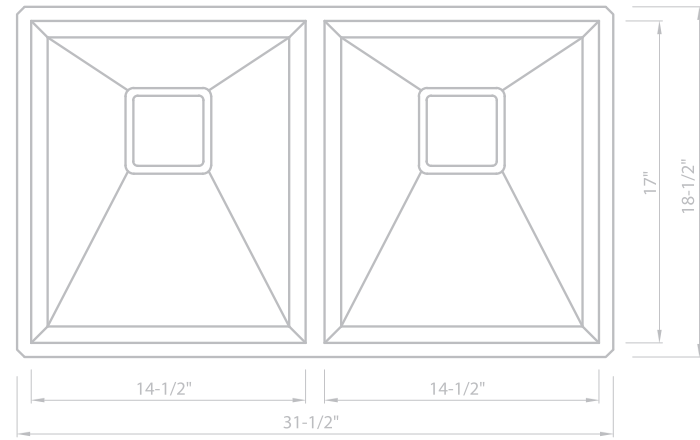
KHU29

28.5" x 18.5" x 10"



KHU32

31.5" x 18.5" x 10"



KHU322

31.5" x 18.5" x 10"

MAIN IMAGE



<SKU>-1A.jpg



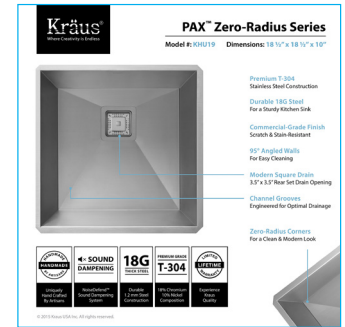
<SKU>-1B.jpg



<SKU>-1C.jpg



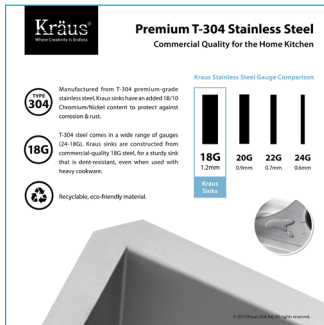
<SKU>-2.jpg



<SKU>-3.jpg



<SKU>-4.jpg



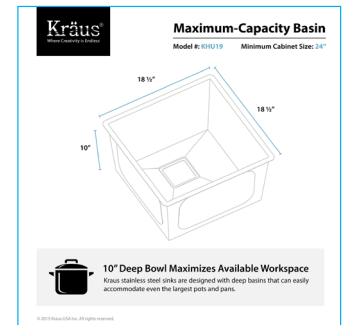
<SKU>-5.jpg



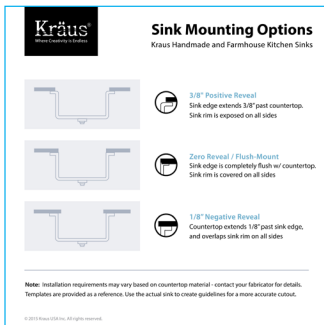
<SKU>-6.jpg



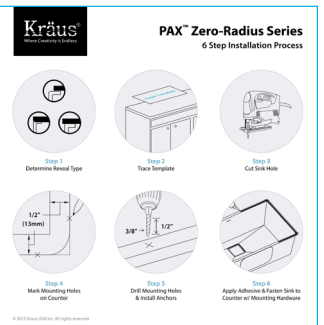
<SKU>-7.jpg



<SKU>-8.jpg



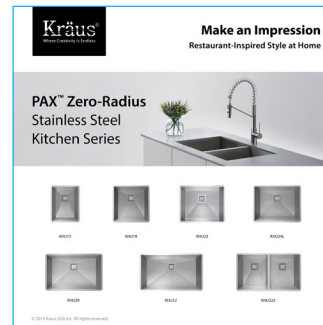
<SKU>-9.jpg



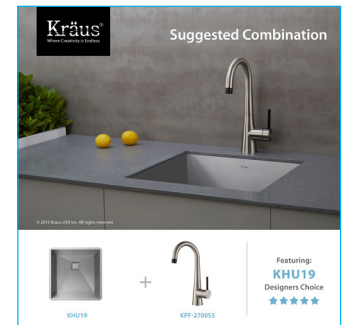
<SKU>-10.jpg




<SKU>-11.jpg



<SKU>-12.jpg

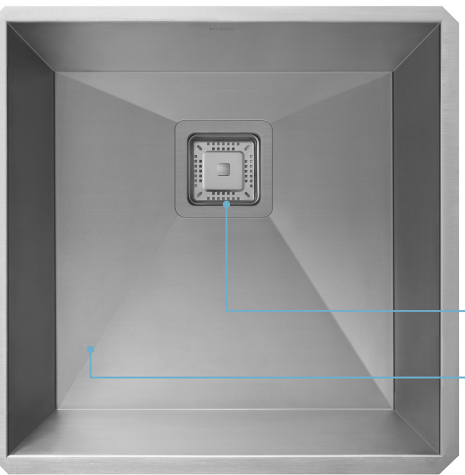


<SKU>-13.jpg



PAX™ Zero-Radius Series

Model #: **KHU19** Dimensions: **18 1/2" x 18 1/2" x 10"**



Premium T-304
Stainless Steel Construction

Durable 18G Steel
For a Sturdy Kitchen Sink

Commercial-Grade Finish
Scratch & Stain-Resistant

95° Angled Walls
For Easy Cleaning

Modern Square Drain
3.5" x 3.5" Rear Set Drain Opening

Channel Grooves
Engineered for Optimal Drainage

Zero-Radius Corners
For a Clean & Modern Look

HANDMADE
BY ARTISANS

Uniquely Hand Crafted By Artisans

4x SOUND DAMPENING

NoiseDefend™ Sound Dampening System

18G THICK STEEL


Durable 1.2 mm Steel Construction

PREMIUM GRADE T-304


18% Chromium 10% Nickel Composition

LIMITED WARRANTY

Experience Kraus Quality

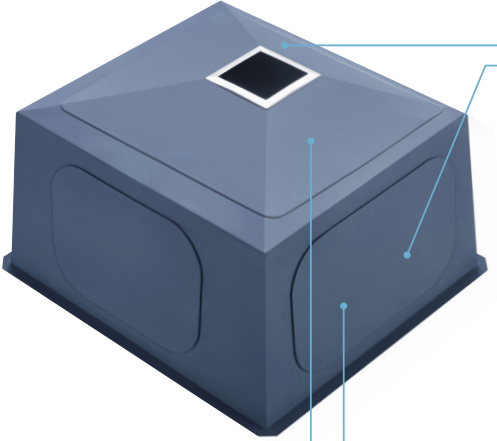


© 2015 Kraus USA Inc. All rights reserved.



NoiseDefend™ Soundproofing

For a Quieter Kitchen Sink



Top Quality Soundproofing

Thick rubber dampening pads absorb vibration and noise, ensuring quieter use.

Protective Undercoating

Commercial-grade non-toxic undercoating provides extra soundproofing and prevents condensation buildup in the base cabinet.

80 Rubber Dampening Pads Cover up to 80% of Sink Surface

(3mm) Pads _____

(2mm) Pads _____

“The sound deadening throughout the backside of the sink is very thick and helps keep the noise of the sink to a minimum, even during use of the garbage disposal.”

- Adam

© 2015 Kraus USA Inc. All rights reserved.



Premium T-304 Stainless Steel

Commercial Quality for the Home Kitchen



Manufactured from T-304 premium-grade stainless steel, Kraus sinks have an added 18/10 Chromium/Nickel content to protect against corrosion & rust.

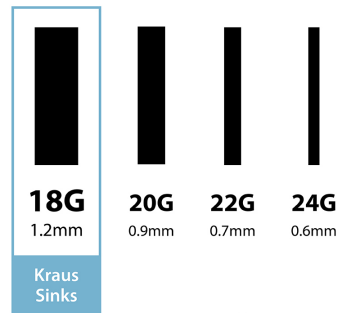


T-304 steel comes in a wide range of gauges (24-18G). Kraus sinks are constructed from commercial-quality 18G steel, for a sturdy sink that is dent-resistant, even when used with heavy cookware.



Recyclable, eco-friendly material.

Kraus Stainless Steel Gauge Comparison



© 2015 Kraus USA Inc. All rights reserved.



Garbage Disposal Adapter

Sold Separately / Coordinates w/ Kraus PAX™ Series Sinks



Kraus Exclusive / Model #: GDA-1
Dimensions: 4.5" x 4.5"

Premium Stainless Steel Construction
For Maximum Durability



Included w/ Adapter:
Disposal Flange & Stopper



Square Adapter
Fits Standard
Garbage Disposals



© 2015 Kraus USA Inc. All rights reserved.

Kräus
Where Creativity is Endless

Accessories Included with Your Purchase



Kraus Exclusive Square Stainless Steel Drain Assembly
Model #: ST-3 / Dimensions: 4.5" x 4.5"



Model #: ST-3
Square Stainless Steel
Drain Assembly



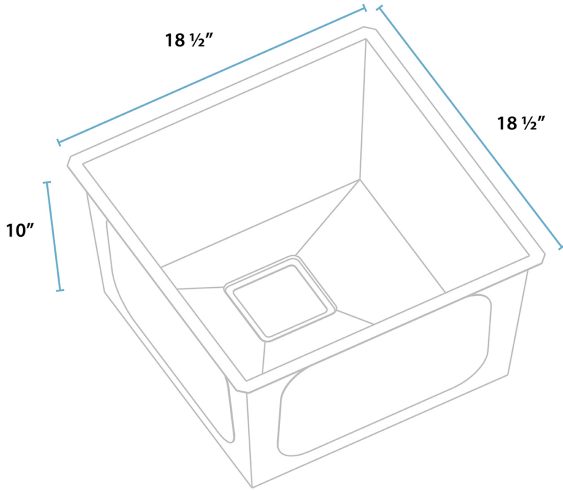
Mounting Hardware

© 2015 Kraus USA Inc. All rights reserved.

Kräus
Where Creativity is Endless

Maximum-Capacity Basin

Model #: KHU19 Minimum Cabinet Size: 24"



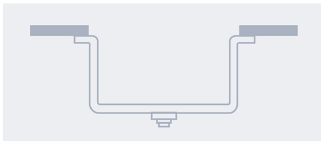
10" Deep Bowl Maximizes Available Workspace
Kraus stainless steel sinks are designed with deep basins that can easily accommodate even the largest pots and pans.

© 2015 Kraus USA Inc. All rights reserved.



Sink Mounting Options

Kraus Handmade and Farmhouse Kitchen Sinks



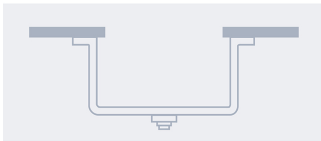
3/8" Positive Reveal

Sink edge extends 3/8" past countertop.
Sink rim is exposed on all sides



Zero Reveal / Flush-Mount

Sink edge is completely flush w/ countertop.
Sink rim is covered on all sides



1/8" Negative Reveal

Countertop extends 1/8" past sink edge,
and overlaps sink rim on all sides

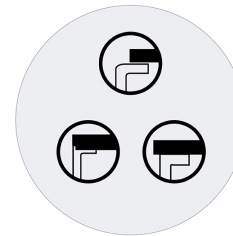
Note: Installation requirements may vary based on countertop material - contact your fabricator for details. Templates are provided as a reference. Use the actual sink to create guidelines for a more accurate cutout.

© 2015 Kraus USA Inc. All rights reserved.

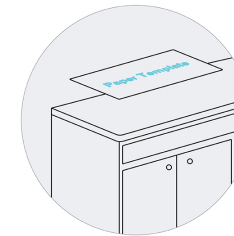


PAX™ Zero-Radius Series

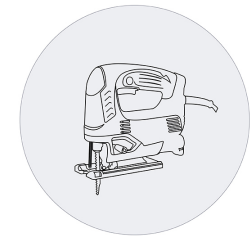
6 Step Installation Process



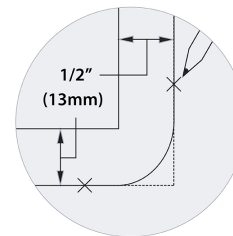
Step 1
Determine Reveal Type



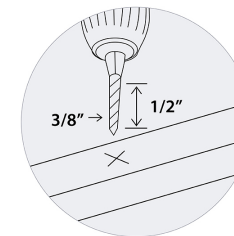
Step 2
Trace Template



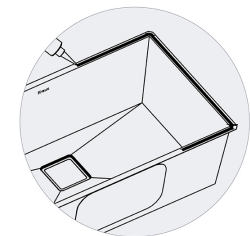
Step 3
Cut Sink Hole



Step 4
Mark Mounting Holes
on Counter



Step 5
Drill Mounting Holes
& Install Anchors

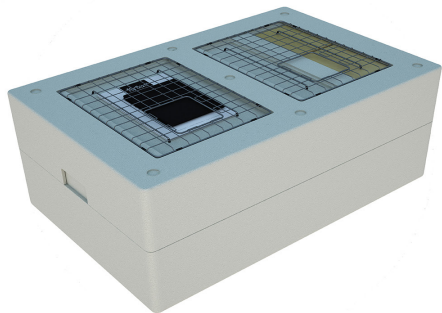


Step 6
Apply Adhesive & Fasten Sink to
Counter w/ Mounting Hardware

© 2015 Kraus USA Inc. All rights reserved.



Best-in-Industry Packaging Protects Against Damage in Transit



- 1 Cardboard Box**
Extra-Tough 5-Ply Corrugated Carton

Adds An Extra Layer of Protection For the Sink
- 2 Polystyrene Foam**
Absorbs Shock & Vibration to Protect against Damage

Custom-Molded to Cushion Sink against Impact

Stops Sink From Shifting in Package to Prevent Scratches & Scuffs
- 3 Non-Woven Cloth Bag**
Flexible & Water-Resistant Material

“Sink is well packaged and also comes in a big cloth bag along with a nice dish towel and spare rubber feet for the rack! Could not be happier!”
- Leo B

© 2015 Kraus USA Inc. All rights reserved.

Pax™ Zero Radius 14 1/2 Inch 18 Gauge Handmade Undermount Single Bowl Stainless Steel Bar / Prep Sink

KHU15

Features:

Premium T-304 Stainless Steel Construction
NoiseDefend™ Sound Dampening System w/ Undercoating:
Padded On All Sides For Superior Noise Reduction
95 Degree Angled Walls for Easy Cleaning
Channel Grooves Engineered for Optimal Drainage
Durable 18-Gauge Steel
Scratch and Stain-Resistant Commercial-Grade Satin Finish
Deep Basin w/ Zero-Radius Corners: Clean & Precise for a Modern Kitchen
Contemporary Square 3.5" x 3.5" Rear Set Drain
All Mounting Hardware Included
Accessories Included w/ Purchase: Square Strainer, Towel

Dimensions:

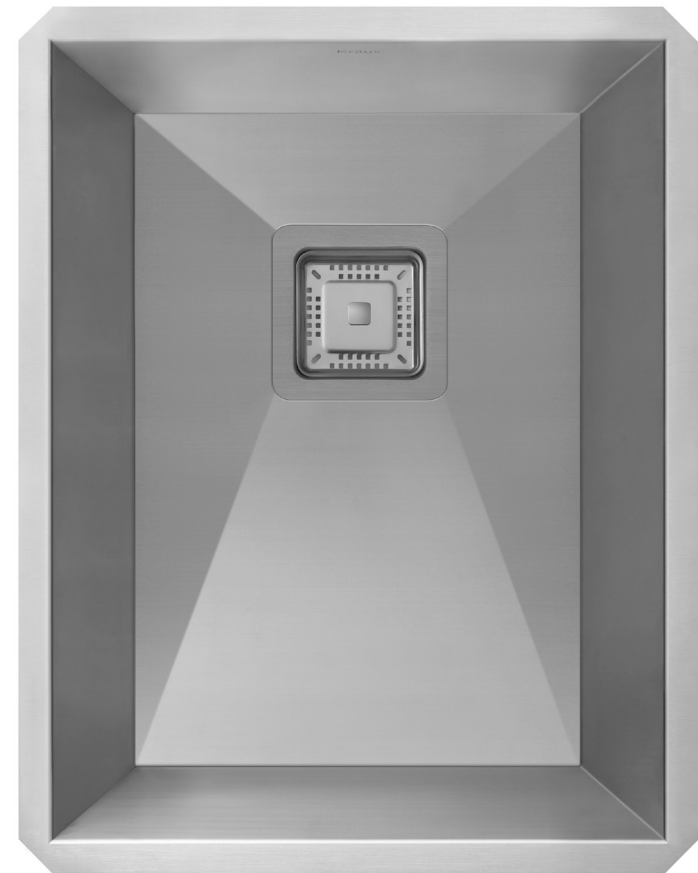
Installation Type: Undermount	Sink Width: 18-1/2"
Sink Cutout Template: Included	Sink Depth: 10"
Minimum Cabinet Size: 18"	Drain Opening: 3.5" x 3.5"
Sink Gauge: 18	Drain Position: Rear
Sink Length: 14-1/2"	Number Of Faucet Holes: 0

Certifications:

Sink complies with ASME A112.19.3-2008 / CSA B45.4-08 / cUPC

These sinks are listed by the International Association of Plumbing and Mechanical Officials as meeting the requirements of the Uniform Plumbing Code.

Limited Lifetime Warranty



Pax™ Zero Radius 18 1/2 Inch 18 Gauge Handmade Undermount Single Bowl Stainless Steel Bar or Prep Sink

KHU19

Features:

- Premium T-304 Stainless Steel Construction
- NoiseDefend™ Sound Dampening System w/ Undercoating:
 - Padded On All Sides For Superior Noise Reduction
 - 95 Degree Angled Walls for Easy Cleaning
 - Channel Grooves Engineered for Optimal Drainage
- Durable 18-Gauge Steel
- Scratch and Stain-Resistant Commercial-Grade Satin Finish
- Deep Basin w/ Zero-Radius Corners: Clean & Precise for a Modern Kitchen
- Contemporary Square 3.5" x 3.5" Rear Set Drain
- All Mounting Hardware Included
- Accessories Included w/ Purchase: Square Strainer, Towel

Dimensions:

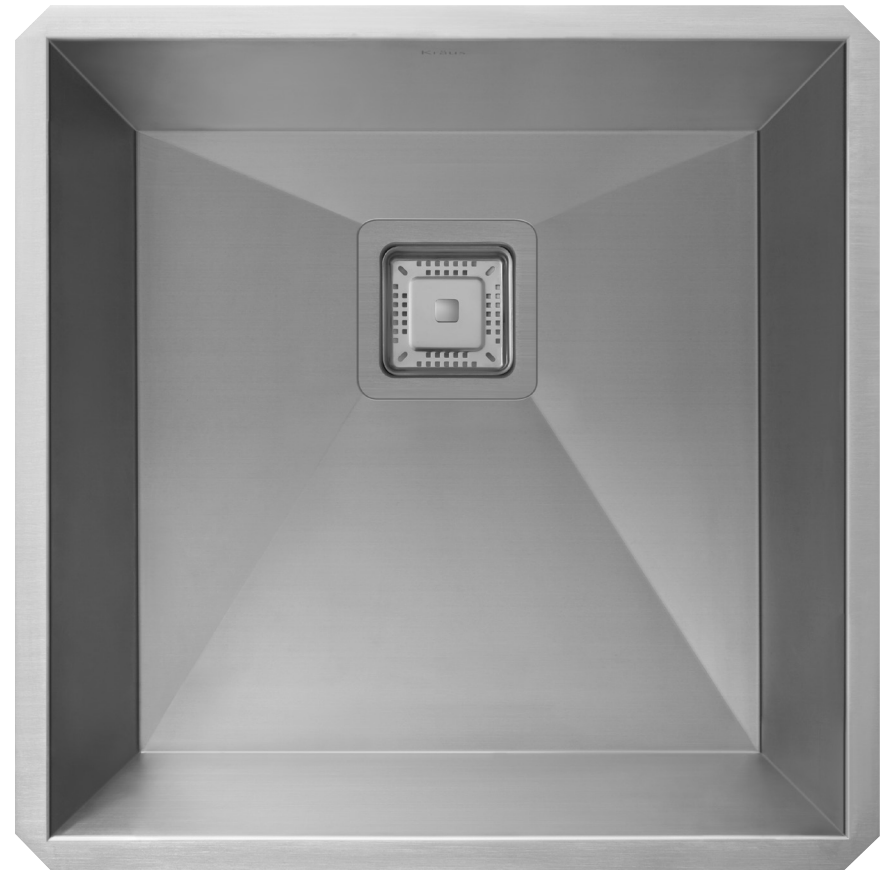
Installation Type: Undermount	Sink Width: 18-1/2"
Sink Cutout Template: Included	Sink Depth: 10"
Minimum Cabinet Size: 24"	Drain Opening: 3.5" x 3.5"
Sink Gauge: 18	Drain Position: Rear
Sink Length: 18-1/2"	Number Of Faucet Holes: 0

Certifications:

Sink complies with ASME A112.19.3-2008 / CSA B45.4-08 / cUPC

These sinks are listed by the International Association of Plumbing and Mechanical Officials as meeting the requirements of the Uniform Plumbing Code.

Limited Lifetime Warranty



Pax™ Zero Radius 22 1/2 Inch 16 Gauge Handmade Undermount Single Bowl Stainless Steel Kitchen Sink

KHU23

Features:

Premium T-304 Stainless Steel Construction
NoiseDefend™ Sound Dampening System w/ Undercoating:
Padded On All Sides For Superior Noise Reduction
95 Degree Angled Walls for Easy Cleaning
Channel Grooves Engineered for Optimal Drainage
Durable 16-Gauge Steel for a Stronger Sink
Scratch and Stain-Resistant Commercial-Grade Satin Finish
Deep Basin w/ Zero-Radius Corners: Clean & Precise for a Modern Kitchen
Contemporary Square 3.5" x 3.5" Rear Set Drain
All Mounting Hardware Included
Accessories Included w/ Purchase: SS Dish Grid, Square Strainer, Towel

Dimensions:

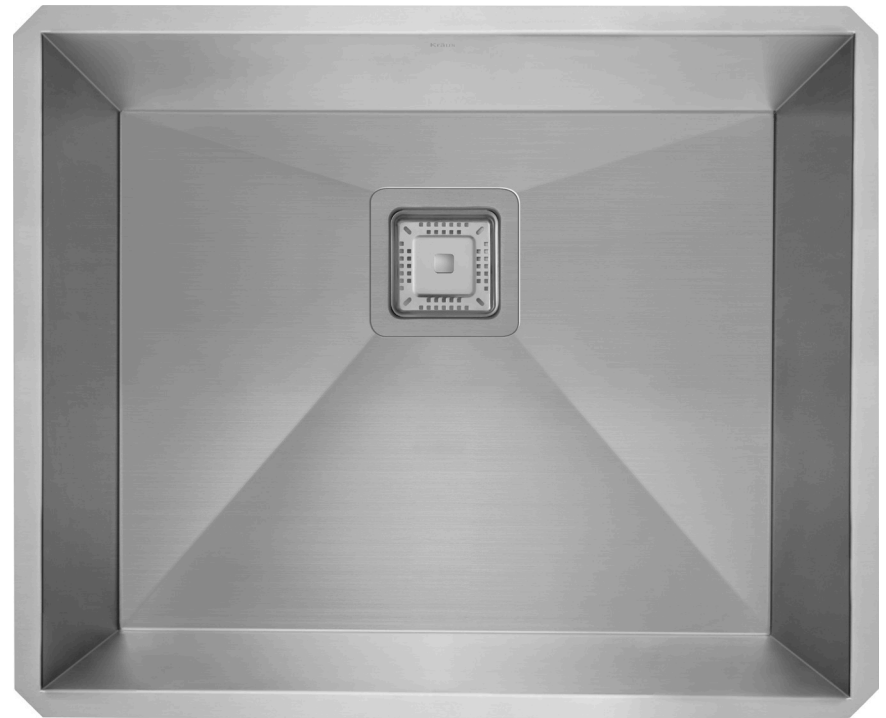
Installation Type: Undermount	Sink Width: 18-1/2"
Sink Cutout Template: Included	Sink Depth: 10"
Minimum Cabinet Size: 27"	Drain Opening: 3.5" x 3.5"
Sink Gauge: 16	Drain Position: Rear
Sink Length: 22-1/2"	Number Of Faucet Holes: 0

Certifications:

Sink complies with ASME A112.19.3-2008 / CSA B45.4-08 / cUPC

These sinks are listed by the International Association of Plumbing and Mechanical Officials as meeting the requirements of the Uniform Plumbing Code.

Limited Lifetime Warranty



Pax™ Zero Radius 24 Inch 18 Gauge Handmade Undermount Single Bowl Stainless Steel Laundry and Utility Sink

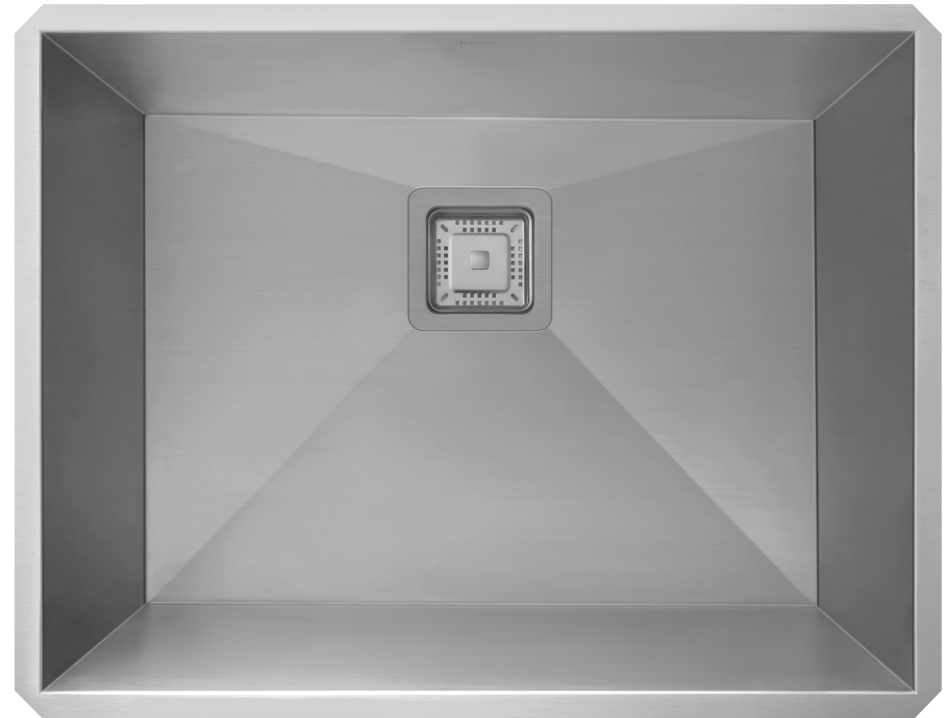
KHU24L

Features:

Premium T-304 Stainless Steel Construction
NoiseDefend™ Sound Dampening System w/ Undercoating:
Padded On All Sides For Superior Noise Reduction
95 Degree Angled Walls for Easy Cleaning
Channel Grooves Engineered for Optimal Drainage
Durable 18-Gauge Steel
Scratch and Stain-Resistant Commercial-Grade Satin Finish
Extra-Deep 12" Utility Basin w/ Zero-Radius Corners:
Suitable for Pet Grooming or High-Volume Laundry
Contemporary Square 3.5" x 3.5" Rear Set Drain
All Mounting Hardware Included
Accessories Included w/ Purchase: Square Strainer, Towel

Dimensions:

Installation Type: Undermount	Sink Width: 18-1/2"
Sink Cutout Template: Included	Sink Depth: 12"
Minimum Cabinet Size: 27"	Drain Opening: 3.5" x 3.5"
Sink Gauge: 18	Drain Position: Rear
Sink Length: 24"	Number Of Faucet Holes: 0



Certifications:

Sink complies with ASME A112.19.3-2008 / CSA B45.4-08 / cUPC

These sinks are listed by the International Association of Plumbing and Mechanical Officials as meeting the requirements of the Uniform Plumbing Code.

Limited Lifetime Warranty

Pax™ Zero Radius 28 1/2 Inch 16 Gauge Handmade Undermount Single Bowl Stainless Steel Kitchen Sink

KHU29

Features:

Premium T-304 Stainless Steel Construction
NoiseDefend™ Sound Dampening System w/ Undercoating:
Padded On All Sides For Superior Noise Reduction
95 Degree Angled Walls for Easy Cleaning
Channel Grooves Engineered for Optimal Drainage
Durable 16-Gauge Steel for a Stronger Sink
Scratch and Stain-Resistant Commercial-Grade Satin Finish
Deep Basin w/ Zero-Radius Corners: Clean & Precise for a Modern Kitchen
Contemporary Square 3.5" x 3.5" Rear Set Drain
All Mounting Hardware Included
Accessories Included w/ Purchase: SS Dish Grid, Square Strainer, Towel

Dimensions:

Installation Type: Undermount	Sink Width: 18-1/2"
Sink Cutout Template: Included	Sink Depth: 10"
Minimum Cabinet Size: 33"	Drain Opening: 3.5" x 3.5"
Sink Gauge: 16	Drain Position: Rear
Sink Length: 28-1/2"	Number Of Faucet Holes: 0

Certifications:

Sink complies with ASME A112.19.3-2008 / CSA B45.4-08 / cUPC

These sinks are listed by the International Association of Plumbing and Mechanical Officials as meeting the requirements of the Uniform Plumbing Code.

Limited Lifetime Warranty



Pax™ Zero Radius 31 1/2 Inch 16 Gauge Handmade Undermount Single Bowl Stainless Steel Kitchen Sink

KHU32

Features:

Premium T-304 Stainless Steel Construction
NoiseDefend™ Sound Dampening System w/ Undercoating:
Padded On All Sides For Superior Noise Reduction
95 Degree Angled Walls for Easy Cleaning
Channel Grooves Engineered for Optimal Drainage
Durable 16-Gauge Steel for a Stronger Sink
Commercial-Grade Satin Finish is Scratch and Stain-Resistant
Deep Basin w/ Zero-Radius Corners: Clean & Precise for a Modern Kitchen
Contemporary Square 3.5" x 3.5" Rear Set Drain
All Mounting Hardware Included
Accessories Included w/ Purchase: SS Dish Grid, Square Strainer, Towel

Dimensions:

Installation Type: Undermount	Sink Width: 18-1/2"
Sink Cutout Template: Included	Sink Depth: 10"
Minimum Cabinet Size: 36"	Drain Opening: 3.5" x 3.5"
Sink Gauge: 16	Drain Position: Rear
Sink Length: 31-1/2"	Number Of Faucet Holes: 0



Certifications:

Sink complies with ASME A112.19.3-2008 / CSA B45.4-08 / cUPC

These sinks are listed by the International Association of Plumbing and Mechanical Officials as meeting the requirements of the Uniform Plumbing Code.

Limited Lifetime Warranty

Pax™ Zero Radius 31 1/2 Inch 16 Gauge Handmade Undermount 50/50 Double Bowl Stainless Steel Kitchen Sink

KHU322

Features:

Premium T-304 Stainless Steel Construction
NoiseDefend™ Sound Dampening System w/ Undercoating:
Padded On All Sides For Superior Noise Reduction
95 Degree Angled Walls for Easy Cleaning
Channel Grooves Engineered for Optimal Drainage
Durable 16-Gauge Steel for a Stronger Sink
Commercial-Grade Satin Finish is Scratch and Stain-Resistant
Deep Basin w/ Zero-Radius Corners: Clean & Precise for a Modern Kitchen
Contemporary Square 3.5" x 3.5" Rear Set Drain
All Mounting Hardware Included
Accessories Included w/ Purchase: SS Dish Grids, Square Strainers, Towel

Dimensions:

Installation Type: Undermount	Sink Width: 18-1/2"
Sink Cutout Template: Included	Sink Depth: 10"
Minimum Cabinet Size: 36"	Drain Opening: 3.5" x 3.5"
Sink Gauge: 16	Drain Position: Rear
Sink Length: 31-1/2"	Number Of Faucet Holes: 0

Certifications:

Sink complies with ASME A112.19.3-2008 / CSA B45.4-08 / cUPC

These sinks are listed by the International Association of Plumbing and Mechanical Officials as meeting the requirements of the Uniform Plumbing Code.

Limited Lifetime Warranty



Coordinates With Kraus Kitchen Faucets: Crespo™ / Mateo™ / Nola™



Kraus®
Where Creativity is Endless

Crespo™ Series

Kitchen Faucets

3 DISTINCTIVE STYLES



KPF-2730



KPF-2700



KPF-2720

2 FLAWLESS FINISHES



© 2015 Kraus USA Inc. All rights reserved.



Kraus®
Where Creativity is Endless

Mateo™ Series

Kitchen Faucets

4 DISTINCTIVE STYLES



KPF-2630



KPF-2600



KPF-2610



KPF-2620

2 FLAWLESS FINISHES



© 2015 Kraus USA Inc. All rights reserved.

Coordinates With Kraus Kitchen Faucets: Crespo™ / Mateo™ / Nola™











Kräus®

1.800.775.0703
www.kraususa.com

© 2015 Kraus USA Inc. All rights reserved.