

PRESLEY

Console Lavatory

5401.082 Lavatory, 5401.631 Metal Stand

Lavatory Features

- Console lavatory with overflow
- 8" (20.3 cm) faucet centers (-8)
- MicroGlaze™ anti-microbial glaze

Stand Features

- Stainless steel metal base stand
- PVD-coated surface, for corrosion resistance
- Multiple finish options available

Accessories Included

- Installation bolts
- *Note:* faucetry is not included

Quality Assurance

- Limited lifetime product warranty

Compliance Certifications

meets or exceeds the following specifications:

- ASME A112.19.2M
- CSA B45.1



PRODUCT OPTIONS

Glaze Colors



.01 White



.06 Biscuit

Metal Stand Available Finishes



.500

Polished Chrome



.502

Polished Nickel



.503

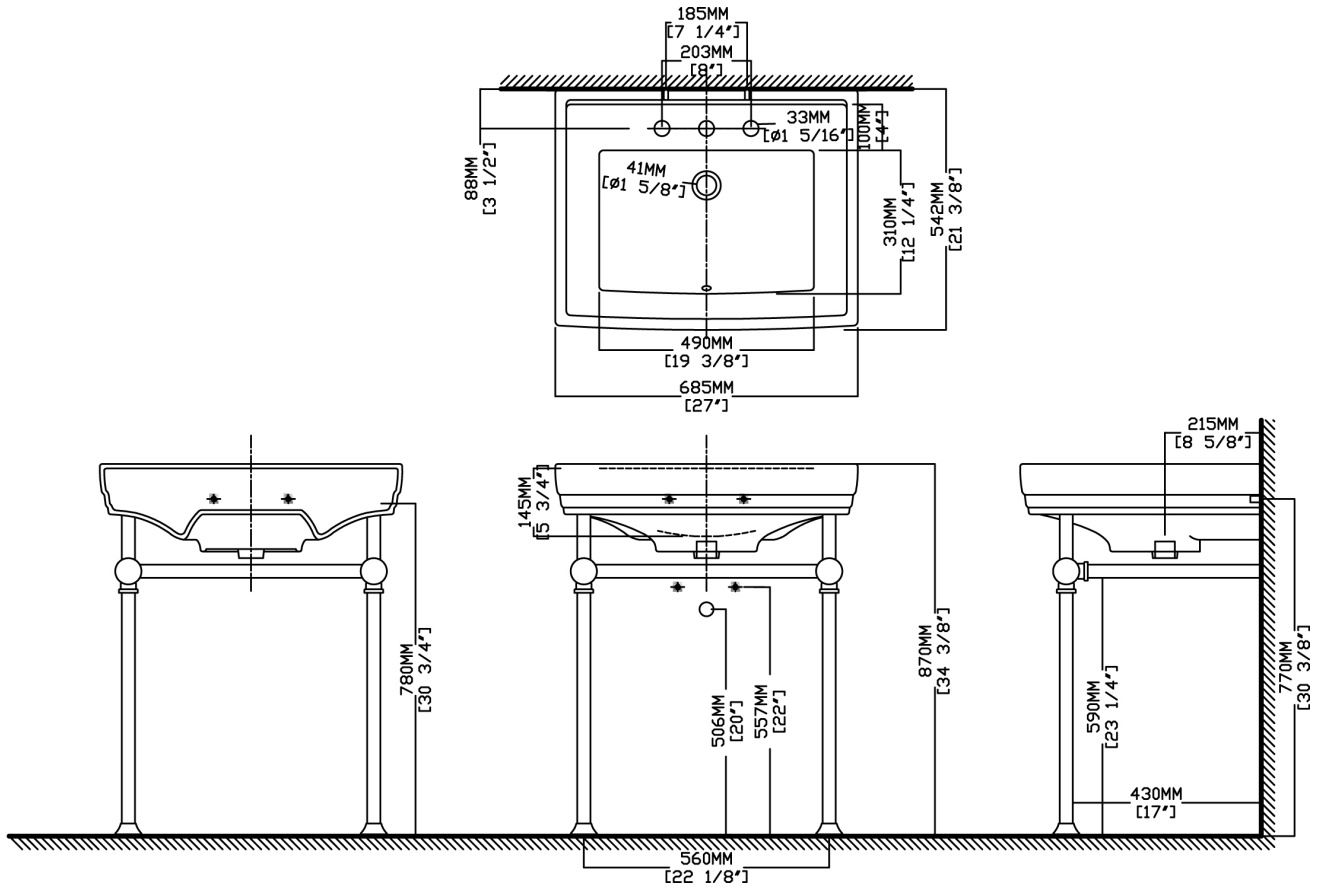
Satin Nickel



.504

Polished Brass

Dimensional Diagram



IMPORTANT: Dimensions are nominal and may vary within the range of tolerance per by NSI Standard A112.19.2. These measurements are subject to change. No responsibility is assumed for use of superseded or voided pages.

Compliance Certifications

Meets or exceeds the following specifications:

- ASME A112.19.2M
- CSA B45.1