

## RENAISSANCE

### Console Lavatory

5053.082 Lavatory, 5053.631 Metal Stand

#### Lavatory Features

- Console lavatory with overflow
- 8" (20.3 cm) faucet centers (-8)
- MicroGlaze™ anti-microbial glaze

#### Stand Features

- Stainless steel metal base stand
- PVD-coated surface, for corrosion resistance
- Multiple finish options available

#### Accessories Included

- Installation bolts
- *Note:* faucetry is not included

#### Quality Assurance

- Limited lifetime product warranty

#### Compliance Certifications

meets or exceeds the following specifications:

- ASME A112.19.2M
- CSA B45.1



## PRODUCT OPTIONS

### Glaze Colors



**.01** White



**.06** Biscuit

### Metal Stand Available Finishes



**.500**

Polished Chrome



**.502**

Polished Nickel



**.503**

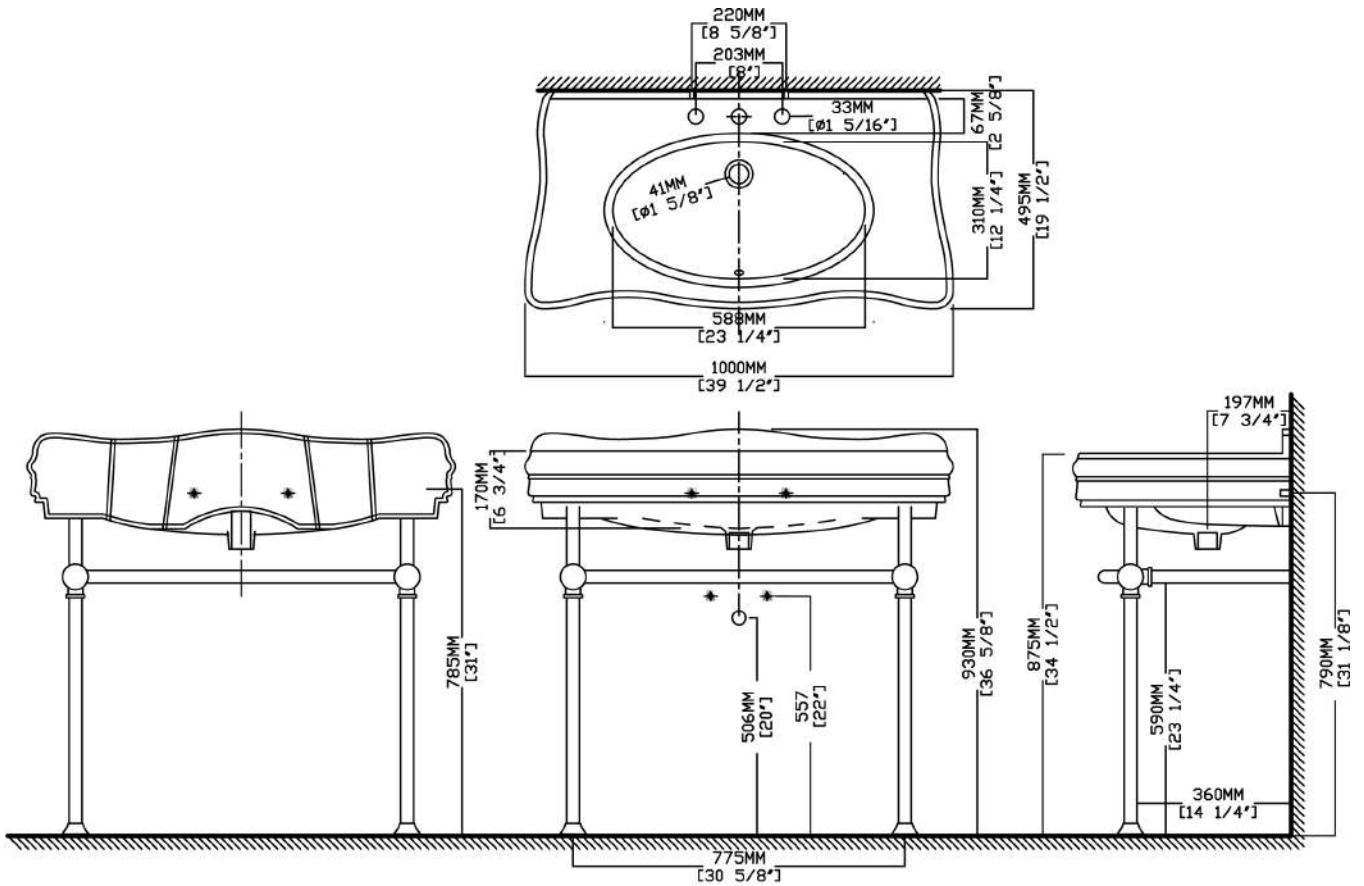
Satin Nickel



**.504**

Polished Brass

Dimensional Diagram



**IMPORTANT:** Dimensions are nominal and may vary within the range of tolerance per by NSI Standard A112.19.2. These measurements are subject to change. No responsibility is assumed for use of superseded or voided pages.

Compliance Certifications

Meets or exceeds the following specifications:

- ASME A112.19.2M
- CSA B45.1