

# SOHO

METRO COLLECTION



## AVAILABLE SIZES

- 58.31.22

## WATER CAPACITY

- 45 Gallons

## WEIGHT

- 200 Pounds

## BACK SLOPE

- 26°

## MATERIAL

- Hydroluxe Solid Surface

## STANDARD COLORS

- White, Biscuit, Bone

## PREMIUM COLORS

- Red, Black, Graphite

## FINISH

- Matte, Polished, Two-Tone

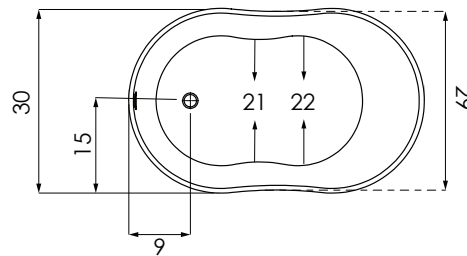
## WARRANTY

- 10 years

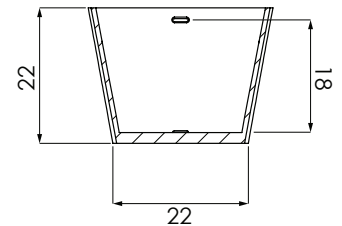
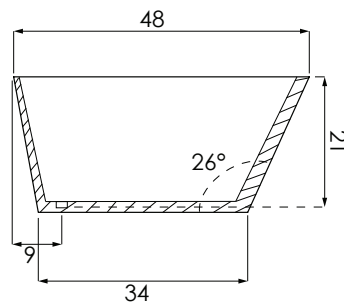


## OPTIONS

- Air System
  - Blower and Control Panel must be remotely located
  - Electrical Requirements
    - 1 20 AMP dedicated GFI
- Tower
- Internal Overflow (Standard)



Deck width = 1"



## CODES AND COMPLIANCES

Massachusetts code File no: P1-0614-491



**HYDRO SYSTEMS**  
Family Owned And Operated Since 1978

29132 Avenue Paine, Valencia, CA, 91355  
661.775.0686 | hydrosystem.com

All specifications and options subject to change without notice please contact a hydro systems representative for more information.