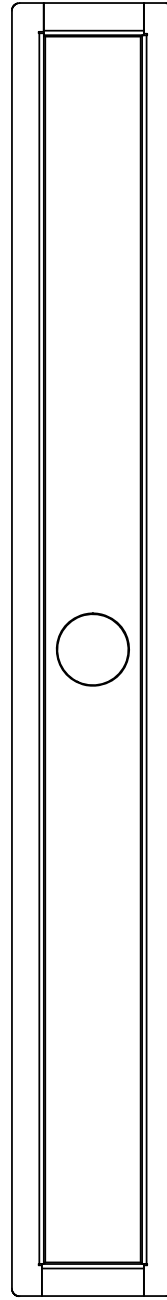
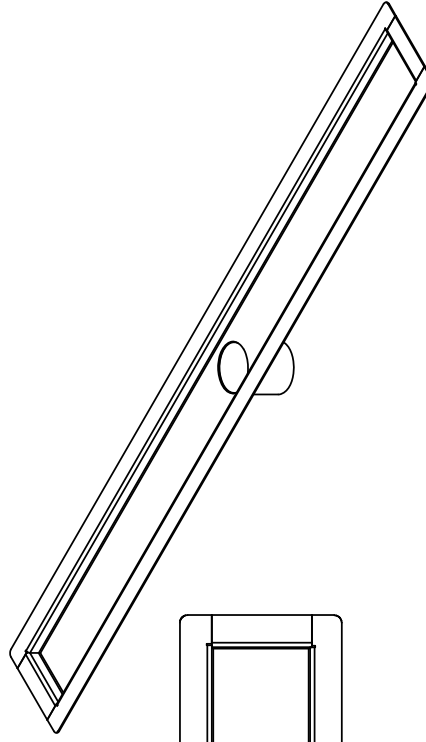
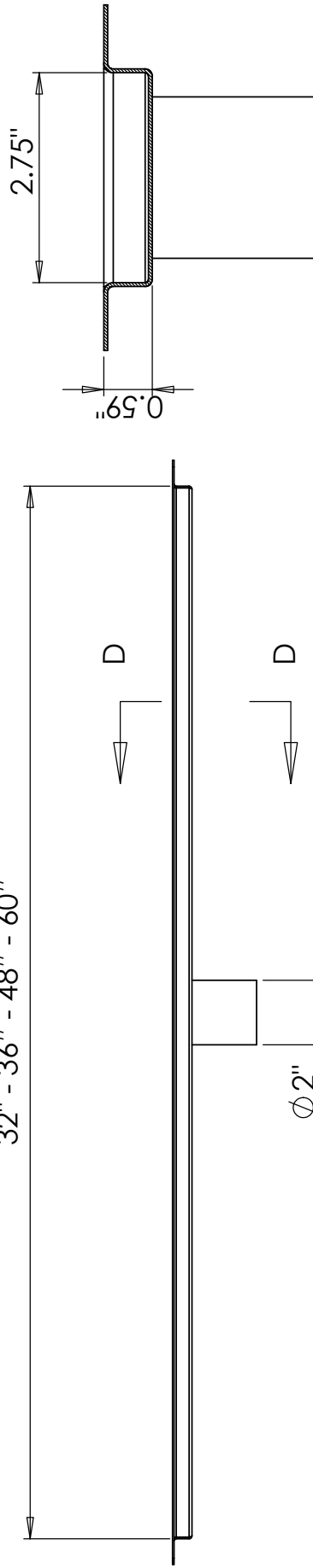



32" - 36" - 48" - 60"

D
1:2



DIMENSIONS IN MM	TOLERANCES	DRAWING	DATE
		CHECK	DATE
0-6	±0.1	THE INFORMATION CONTAINED IN THIS DRAWING IS THE SOLE PROPERTY OF DECOR DRAIN. ANY REPRODUCTION IN PART OR AS A WHOLE WITHOUT THE WRITTEN PERMISSION OF DECOR DRAIN IS PROHIBITED.	
6-30	±0.15		
30-100	±0.2		
100-400	±0.3		
> 400	±0.5		
ANGULAR	±0.5°		
DRAWING name		MATERIAL:	1:10
		FINISHED:	SCALE: 1:10
		DDFBO	
		SHEET 1 OF 5	

