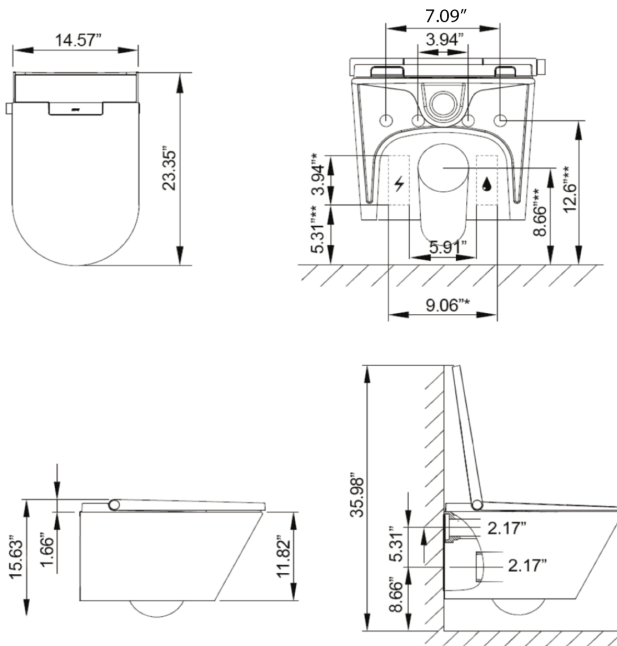


AXENT.ONE PLUS

WALL-HUNG INTELLIGENT TOILET E310-E2



*Approximate
**Will Vary



reddot design award

FEATURES

Dimensions	L 14.57" x W 23.35" x H 15.63"	
Weight	88.2 lbs	
Power Consumption	1100W (120V, 60Hz)	
Material Finish	Vitreous China and Polypropylene	
Color	White	
Water Consumption	Dual Flush Capability	Warm Air Dryer
Configuration	Elongated Bowl Shape	Deodorizer
	ADA Height Toilet Bowl	Adjustable Self-Warming Seat
	Manual and Remote Activated Flushing	Instantly-Warm Water Temperature
	Patented Tankless Technology	Adjustable shower flow and massaging
	Patented Airless Siphonic Flushing (AST)	Easy Clean Antibacterial Coating
	Intuitive Night Light	
	Customizable Integrated Bidet Seat	

CODES/STANDARDS

ASME A112.4.2, ASME A112.18.1, CSA B125.1, UL 1431, CSA C22.2 64 and 678
Ultra High Efficiency Toilet (UHET) at 1.1 GPF
Highly Recommended Flush Performance

DETAILS

The AXENT.ONE Plus wall-hung intelligent toilet is AXENT's latest smart bathroom innovation. Designed by Matteo Thun, this luxurious low-profile, tankless intelligent toilet offers all the bells and whistles of modern integrated bidet toilets with the added allure of purposeful design. Boasting an astounding 8 inches of space-saving appeal, the AXENT.ONE Plus floats above your bathroom floor at a comfortable, ADA compliant height offering an easy-to-clean and convenient bathroom solution.