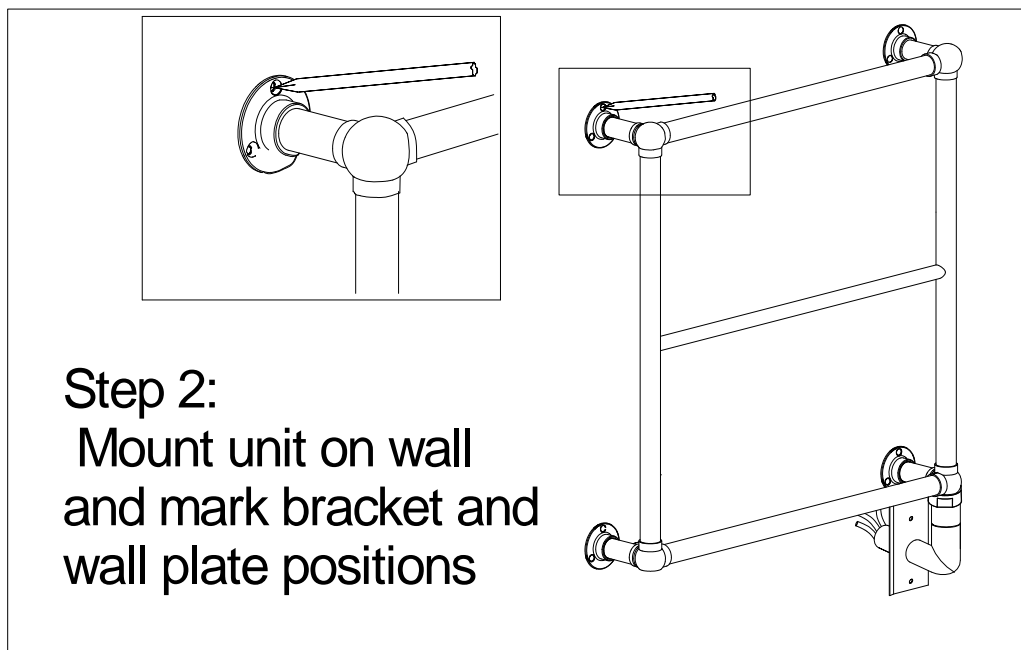
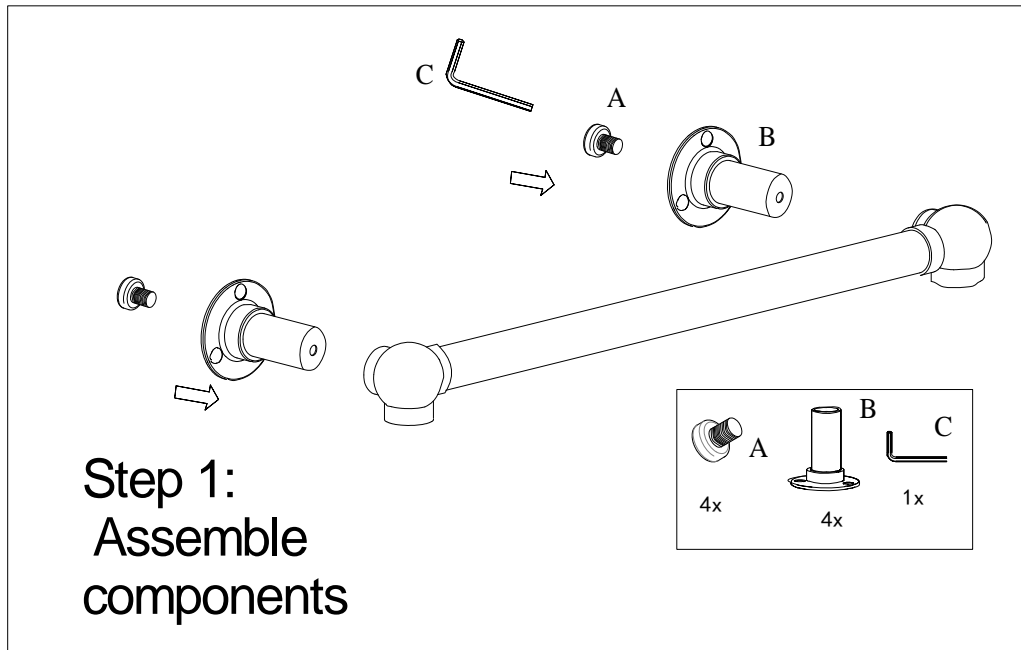
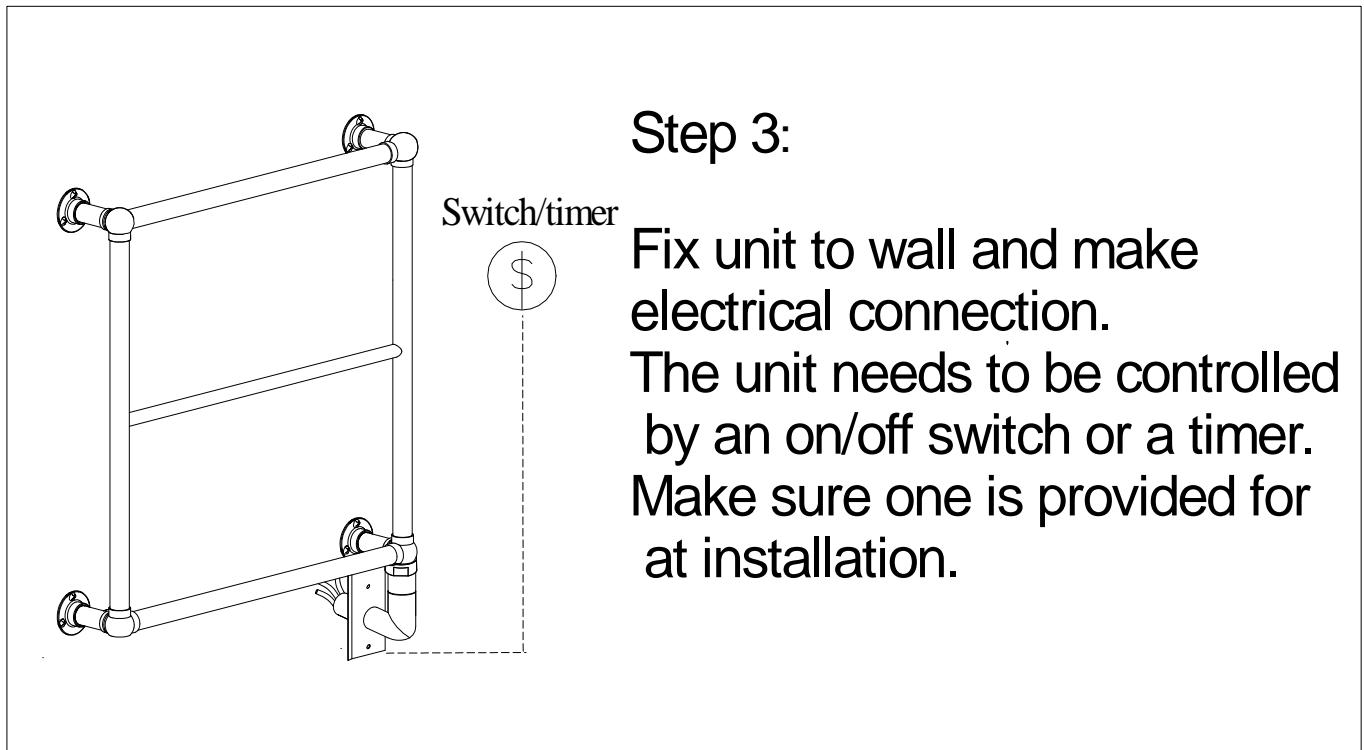


INSTALLATION INSTRUCTIONS

- * Please read the Safety Measures before installing your Towel Warmer.
- * All installations should be in accordance with National and Local electrical codes.
- * Adequate backing should be placed behind unit to ensure secure fixing.
- * The unit should be installed by a qualified electrician.





Safety Measures

1. Types of Safety Measures

- 1.1 Warning: States a hazard which may pose serious injury or death if installation instructions are not followed.
- 1.2 Caution: States a hazard which may pose minor injury and/or product damage if installation instructions are not followed.
- 1.3 Note: Helpful information which will facilitate installation.

2. Warnings:

- 2.1. These units should be installed by a certified electrician.
- 2.2. Follow these installation instructions carefully to ensure unit is properly attached to the wall.
- 2.3. To avoid a possible fire hazard, it is essential unit is mounted in accordance with these guidelines.
- 2.4. Unit is intended for indoor use only.
- 2.5. Do not place units inside a shower, sauna, steam room, or wherever unit would be exposed to water.
- 2.6. Do not place unit where, if the mounting hardware were to loosen, it could potentially fall into water (i.e., a bathtub, whirlpool, etc.)
- 2.7. The unit must be installed in an upright position i.e. with the wall plate/junction box at the bottom.

3. Cautions:

- 3.1. Ensure that unit is securely fixed to the wall. Unit is designed for drying towels. Under no circumstances should anybody climb on or hang on unit.
- 3.2. The fasteners provided with the installation kit are for convenience only and are not suitable for all installation conditions - it is the ultimate responsibility of the installer to ensure proper mounting hardware is employed in attaching the unit to the wall.
- 3.3. Surface of unit is hot when on.

4. Notes:

- 4.1. Towels which contain soap or detergent residue may appear to have scorch marks; however, this is simply discoloration of the residue in the towels themselves. The unit does not get hot enough to scorch towels.
- 4.2. These units are extremely durable. To maintain a good appearance follow these simple care instructions:
 - 4.2.1. For routine cleaning, simply switch off the unit, allow to cool to room temperature, wipe with a damp cloth and buff with a soft, dry cloth.
 - 4.2.2. Under no circumstances should abrasive cleaners be used to clean the unit.

Warranty:

Three year limited warranty, with proof of purchase, will apply if all Terms and Conditions of Sale are met and Installation Instructions are adhered to.

Contact us:

If you have any questions or comments please contact us at: Email: info@ambaproducts.com