

SAFETY MEASURES

WARNINGS

States a hazard which may pose serious injury or death if exact installation instructions are not followed.

- These units should be installed by a certified electrician.
- Follow installation instructions carefully to ensure unit is properly attached to wall.
- To avoid a possible fire hazard, unit must be mounted in accordance with guidelines stated in these instruction.
- Unit is intended for indoor use only.
- Do not place units inside a shower, sauna, steam room, or wherever unit would be exposed to water.
- Do not place unit where, if the mounting hardware were to loosen, it could potentially fall into water [i.e., a bathtub, whirlpool, etc.]

CAUTION

States a hazard which may pose minor injury and/or product damage if instructions are not followed.

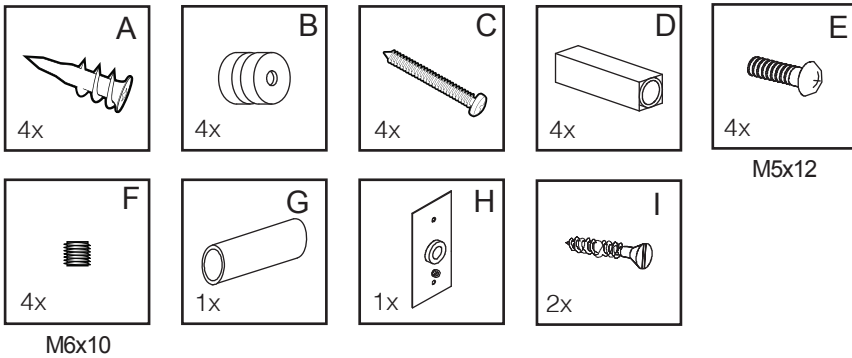
- Never place more than 2 towels on the unit at a time as overloading will cause the unit to become very hot and could result in a burn if touched.
- Unit is designed for drying towels – Under no circumstances should anybody climb on or hang on unit.
- The fasteners provided with the installation kit are for convenience only and are not suitable for all installation conditions
- It is the ultimate responsibility of the installer to ensure proper mounting hardware is employed in attaching the unit to the wall.
- Surface of unit is hot when on.

CARE & MAINTENANCE

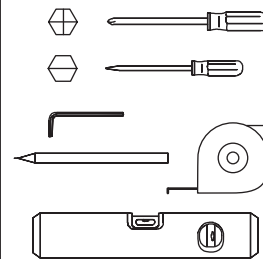
Helpful information which will facilitate installation and assure longevity of product.

- Towels which contain soap or detergent residue may appear to have scorch marks; this is simply discoloration of the residue in the towels themselves.
- The towel rack is constructed from extremely durable 304 stainless steel – To maintain a good appearance follow these simple instructions:
 - For routine cleaning, simply switch off the unit, allow to cool to room temperature, wipe with a damp cloth and buff with a soft, dry cloth.
 - Light scratches and blemishes may be removed by polishing the unit
 - Unit should be switched off and allowed to cool before polishing with a commercially available metal polish.
 - Under no circumstances should abrasive cleaners be used to clean the unit.

INCLUDED COMPONENTS



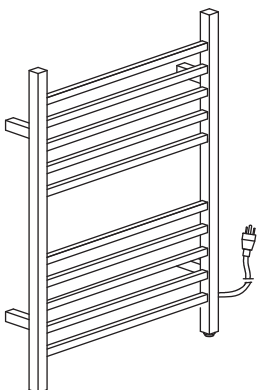
TOOLS REQUIRED



WARRANTY

Two year limited warranty with proof of purchase will apply if all Terms and Conditions of Sale are met and Installation Instructions are adhered to.

PLUG-IN MODELS



Requires
Grounded
Outlet

Plug-In units
include Cord with
grounded plug



AVAILABLE MODELS

RSWH-P

RSWP-P

RSWH-B

RSWP-B

WH - wall mounted & hardwired

WP - wall mounted & plug-in

B-Brushed P-Polished

CONTACT

Email: info@ambaproducts.com

Tel: 404-3509738

Fax: 404-3550166

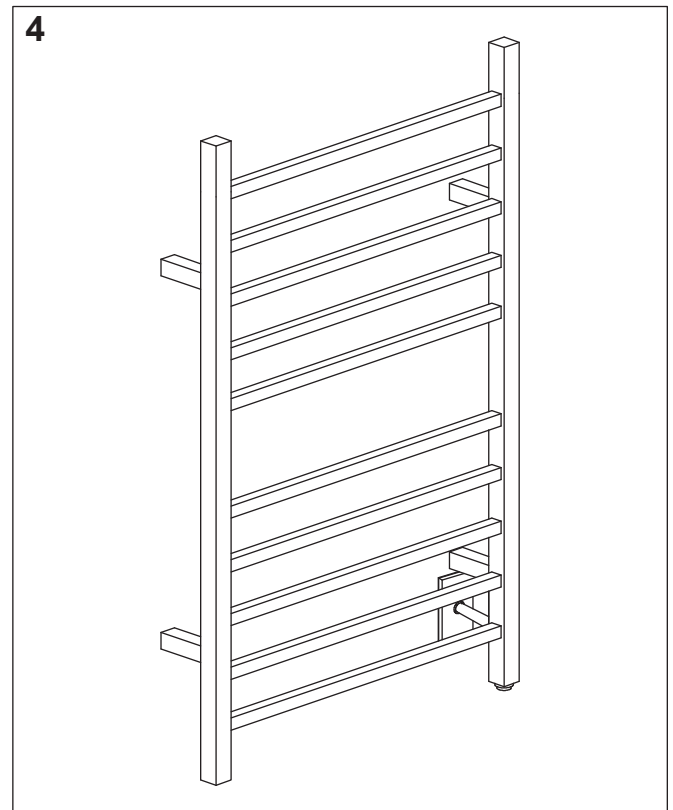
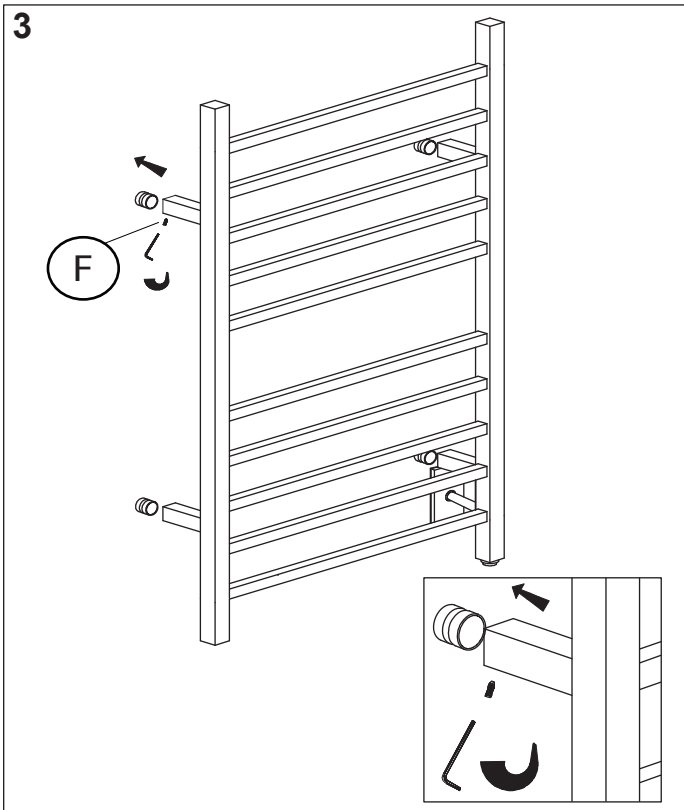
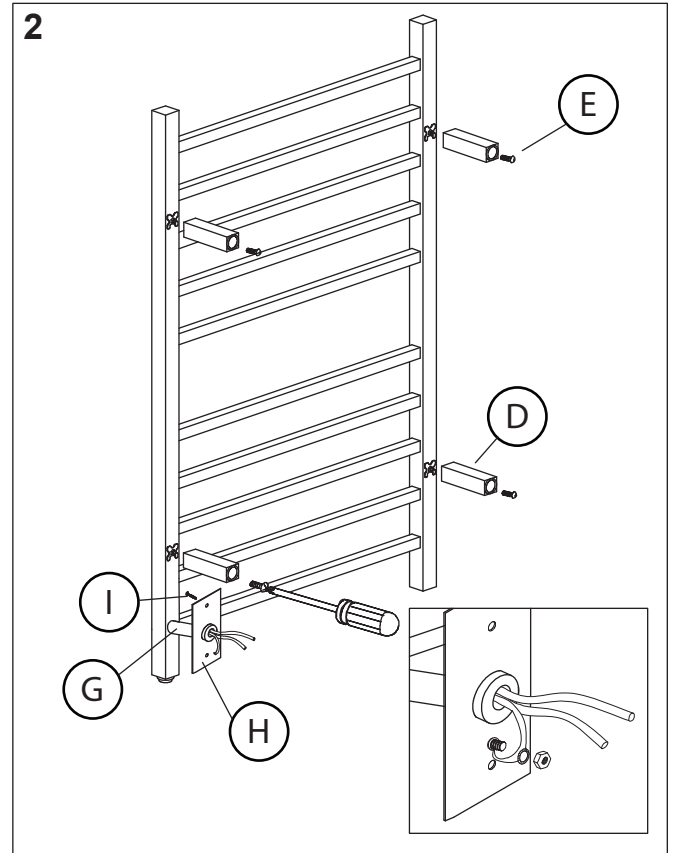
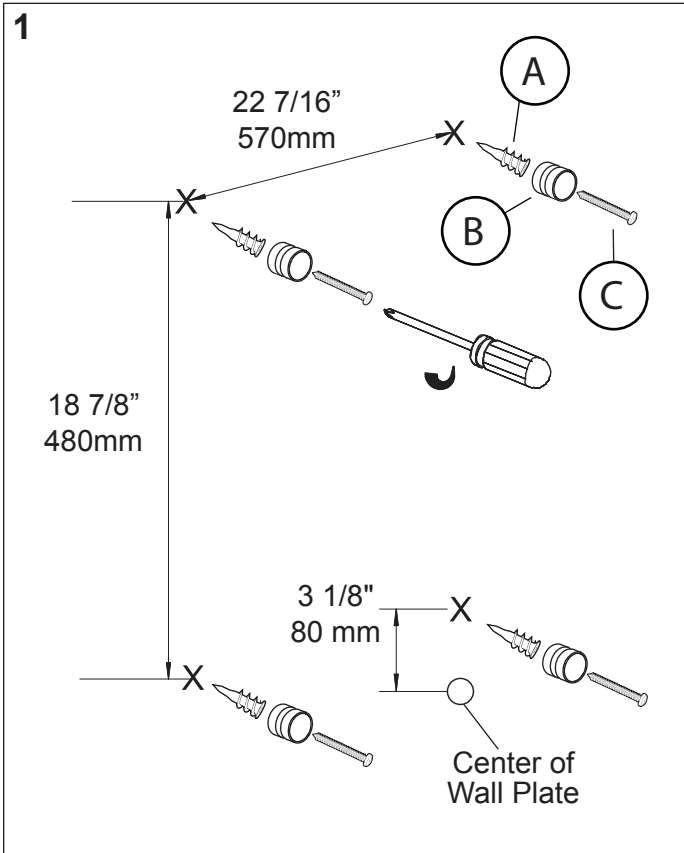
www.ambaproducts.com

RADIANT SQUARE

INSTALLATION INSTRUCTIONS



BEFORE STARTING ASSEMBLY MAKE SURE ALL COMPONENTS LISTED ARE IN THE PACKAGE



DO NOT OVERTIGHTEN SET SCREW